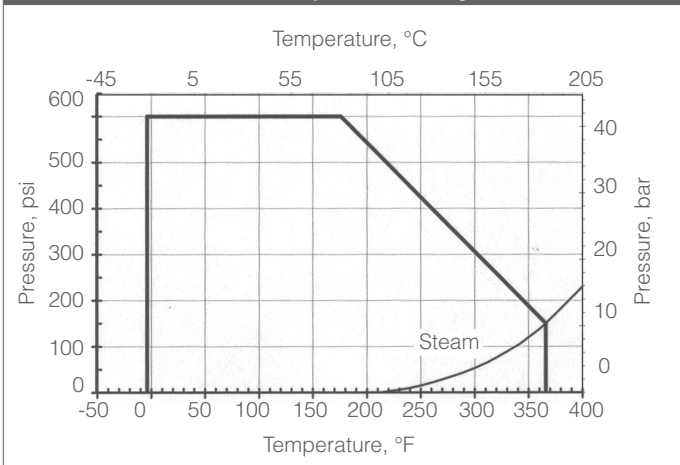



Features

- High integrity hot forged brass body
- ISO 5211 actuator mounting pad
- Blow-out proof stem
- PTFE seats, o-ring backed low operating torque
- O-ring stem seals
- 100% tested

Series DM600 Pressure-Temperature Ratings

DM600F-XXX-BR Series Full Port Valve

Quick Spec	
Product Scope	
Size Range	1/4" – 4", Full Port
Body Type	2-pc, End Entry with FNPT Ends
Pressure Rating	600 psi WOG (41 bar)
Temperature Range / WSP	-4°F thru 366°F -20°C thru 186°C
Body	Brass, Hot Forged
Trim	Brass, Chrome Plated
Seats	PTFE, Viton O-ring backed
Stem Packing/Seals	PTFE/Viton O-rings
Operator/Mounting Pad	Lever Not Available/ISO 5211
Design Standards	
Threaded End Design	ASME B1.20.1
Testing Standards	
Pressure Testing	MSS-SP-110

Materials of Construction DM600 Full Port Series

Part	Material
Body	*Brass CuZn40Pb2
End Cap	*Brass CuZn40Pb2
Ball	*Brass CuZn40Pb2 Cr. Plated
Stem	**Brass CuZn39Pb3
Seat	PTFE
O-Ring, Seat	FKM
Thrust Washer, Stem	PTFE
O-Ring, Stem	FKM
Seal, Stem	PTFE

* UNI EN 12165 CW617N (59Cu-40Zn-2Pb) equivalent to Hot Forging Brass UNS C37700 (60Cu-39Zn-2Pb)

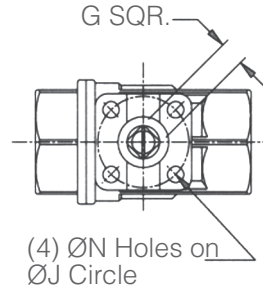
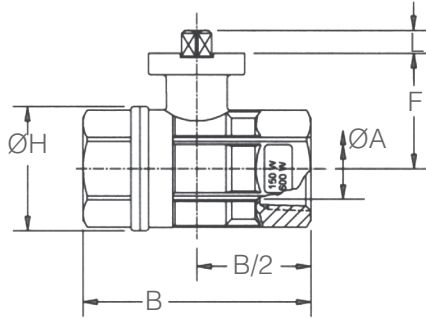
** UNI EN 12164 CW614N (58Cu-39Zn-3Pb) equivalent to Architectural Brass bar UNS C38500 (57Cu-40Zn-3Pb)

Technical Specifications

Valve Size Inches	Operating Torque, in-lb	Flow Coefficient, Cv
1/4"	10	5.4
3/8"	10	6
1/2"	13	16.3
3/4"	20	29.5
1"	35	43
1-1/4"	70	89
1-1/2"	115	230
2"	200	265
2-1/2"	300	540
3"	425	873
4"	650	1390

Technical Specifications, metric

Valve Size NPS	Operating Torque, N.m	Flow Coefficient, Kv
DN8	1.1	4,6
DN12	1.1	5,2
DN15	1.4	14,0
DN20	2.3	25,4
DN25	4.0	37,0
DN32	7.9	77,0
DN40	13.0	198
DN50	22.6	228
DN65	33.9	464
DN80	48.0	751
DN100	73.4	1195



ART0791

Dimensions, Inches										
Valve Size Inches	ØA Port	B Length	F C/L-Pad	ØH Body OD	DM666FTTS Series					Wt (lbs)
					ISO	ØJ B.C.	ØN Hole	G Stem Sq	L Stem Ext.	
1/4"	0.39	2.64	1.28	1.32	F03	1.42	0.24	0.350	0.35	0.82
3/8"	0.39	2.64	1.28	1.32	F03	1.42	0.24	0.350	0.35	0.79
1/2"	0.56	2.64	1.28	1.32	F03	1.42	0.24	0.350	0.35	0.66
3/4"	0.75	3.00	1.36	1.57	F03	1.42	0.24	0.350	0.35	0.91
1"	0.95	3.35	1.79	1.93	F03	1.42	0.24	0.350	0.35	1.55
1-1/4"	1.18	3.66	1.93	2.30	F03	1.42	0.24	0.350	0.35	2.14
1-1/2"	1.49	4.13	2.52	2.87	F05	1.97	0.27	0.430	0.43	3.71
2"	1.97	4.80	2.88	3.60	F05	1.97	0.27	0.430	0.43	5.50
2-1/2"	2.52	6.10	3.48	4.51	F07	2.76	0.35	0.550	0.59	8.80
3"	3.00	6.89	3.85	5.35	F07	2.76	0.35	0.550	0.59	13.3
4"	3.74	8.03	4.59	6.53	F07	2.76	0.35	0.670	0.69	21.5

Dimensions, mm										
Valve Size NPS	ØA Port	B Length	F C/L-Pad	ØH Body OD	DM666FTTS Series					Wt (kgs)
					ISO	ØJ B.C.	ØN Hole	G Stem Sq	L Stem Ext.	
DN8	9,9	67,1	32,5	33,5	F03	36,0	6,1	8,89	8,9	0,37
DN10	9,9	67,1	32,5	33,5	F03	36,0	6,1	8,89	8,9	0,36
DN15	14,2	67,1	32,5	33,5	F03	36,0	6,1	8,89	8,9	0,30
DN20	19,1	76,2	34,5	39,9	F03	36,0	6,1	8,89	8,9	0,41
DN25	24,1	85,1	45,5	49,0	F03	36,0	6,1	8,89	8,9	0,70
DN32	30,0	93,0	49,0	58,4	F03	36,0	6,1	8,89	8,9	0,97
DN40	37,8	104,9	64,0	72,9	F05	50,0	6,9	10,92	10,9	1,68
DN50	50,0	121,9	73,0	91,4	F05	50,0	6,9	10,92	10,9	2,50
DN65	64,0	154,9	88,4	114,6	F07	70,0	8,9	13,97	15,0	4,00
DN80	76,2	175,0	97,8	135,9	F07	70,0	8,9	13,97	15,0	6,00
DN100	95,0	204,0	116,6	165,9	F07	70,0	8,9	17,02	17,5	9,80

Model	Size	Body Mat'l	1	2	3	4	5	6	7	8	9	10	11	12

Size	
025	1/4"
038	3/8"
050	1/2"
075	3/4"
100	1"
125	1-1/4"
150	1-1/2"
200	2"
250	2-1/2"
300	3"
400	4"

Body Material	
BR	Brass

1 Packing	
A	PTFE/PTFE

2 End Connections	
A	FNPT (standard)

3&4 Operation	
HL	Lever (standard)
NN	None
P1	UT-0A-DA STD
P2	UT-0-DA STD
P3	UT-1-DA STD
P4	UT-2-DA STD
P5	UT-2.5-DA STD
P6	UT-3-DA STD
S1	UT-0-SR STD
S2	UT-1-SR STD
S3	UT-2-SR STD
S4	UT-2.5-SR STD
S5	UT-3-SR-STD
S6	UT-3.5-SR STD
S7	UT-4-SR STD
M1	ER-1-2.5-4 110 VAC
M2	ER-2-5-4 110 VAC
M3	ER-3-5-4 110 VAC
M8	ER-4-10-4 110 VAC
M4	ER-6-15-4 110 VAC
M5	ER-10-15-4 110 VAC
ZZ	Non-Standard

5&6 Actuator Pressure	
60	60 psi
80	80 psi
NN	N/A (no pneumatic actuator)
ZZ	Non-Standard

7&8 Solenoid Feature	Act. Type
00	None
3A	3W 8551-120VAC N4 UT-0/5 SR
3C	3W EF8551-120VAc N7 UT-0/5 SR
3J	3W 8317G35-120VAC N4 UT-0/2.5 SR
3M	3W 8321G1-120VAC N4 UT-3/5 SR
3Q	3W EF8317G35-120VAC N7 UT-0/2.5 SR
3R	3W EF8321G1-120VAC N7 UT-3/5 SR
4A	4W 8551-120VAC N4 UT-0A DA
4B	4W 8551-120VAC N4 UT-0/5 DA
4D	4W EF8551-120VAC N7 UT-0A DA
4E	4W EF8551-120VAC N7 UT0/5 DA
ZZ	Non-Standard

9&10 Limit Switch	
00	None
AA	LS FMYB-5120-N4 to UT-0/3
AB	LS FMYB-5120-N4 to UT-3.5/7
AC	LS AMYB-5120-N7 to UT-0/3
AD	LS AMYB-5120-N7 to UT-3.5/7
ZZ	Non-Standard

11&12 Fail Position	
NN	Fail Position N/A (No "SR" Actuator)
01	Fail Closed
02	Fail Open