

Flow Monitor

SPKM



OVERVIEW

Operation

- Paddle

Application

- Cooling systems and cooling circuits
- Heating plants and air conditioners
- Research and development

Features

- Universal orientation
- Low sensitivity to dirt
- High repeat accuracy
- Low pressure drop
- Easy switchpoint adjustment (7-position adjustment screw)
- High switching capacity
- Threaded connection

Installation information

- The operating instructions for SPKM must be observed!
- **Download: www.meister-flow.com**

OPERATING DATA

Operating pressure, max.	25 bar
Pressure drop	0,01 bar
Temperature, max.	110 °C
Measuring accuracy	±15 % of full scale
Hysteresis	Depending on switch value, at least 0,7 l/min

MEASURING RANGE

Type	Flow ranges	Q_{\max}
	for H ₂ O ⁽¹⁾	
	l/min	l/min
SPKM-10	4 – 5,5	10
SPKM-15	5,5 – 7	20
SPKM-20	7,5 – 10	40
SPKM-25	14 – 18	60
SPKM-32	22 – 30	80
SPKM-40	37 – 50	100
SPKM-50	67 – 93	150

⁽¹⁾ The stated switch values are switch-off points for horizontal installation. Other installation positions or deviation from the operating densities will increase the measurement error specified in the data sheet.

Other media available on request!

MATERIALS

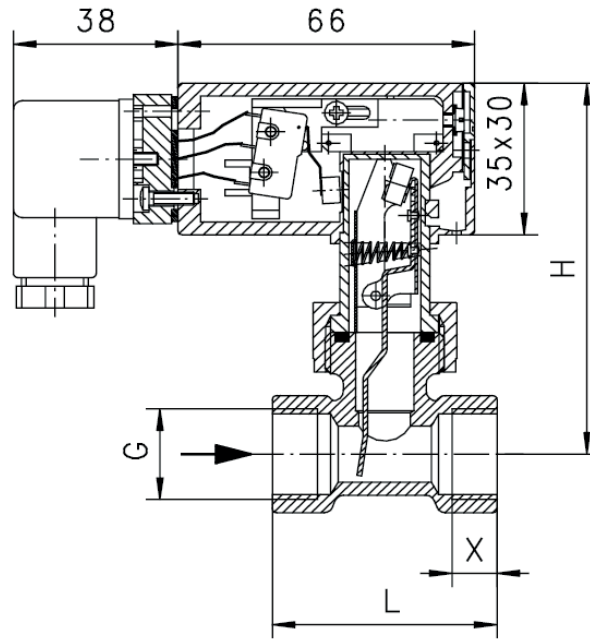
Brass version, wetted parts

Paddle parts:	1.4301 / 1.4571
Spring:	1.4310
Gasket:	NBR
Magnet:	Oxide 300
Device body:	Brass, nickel-plated
T-section:	Brass

Stainless steel version, wetted parts

Paddle parts:	1.4301 / 1.4571
Spring:	1.4310
Gasket:	FKM
Magnet:	Oxide 300
Device body:	1.4305
T-section:	1.4571

TECHNICAL DRAWING



SUMMARY OF TYPES

Type	Overall dimensions [mm]					Weight	
	G	DN	H	L	X	Brass version approx. [kg]	Stainless steel version approx. [kg]
SPKM-10	3/8"	10	87	50	10	0,35	0,40
SPKM-15	1/2"	15	87	50	10	0,35	0,41
SPKM-20	3/4"	20	88	50	12	0,35	0,35
SPKM-25	1"	25	92	50	12	0,40	0,45
SPKM-32	1 1/4"	32	96	50	12	0,55	0,55
SPKM-40	1 1/2"	40	99	50	12	0,60	0,70
SPKM-50	2"	50	108	50	12	1,00	1,00

ELECTRICAL DATA

Change over

max. 250V AC · 5A

ELECTRICAL CONNECTION

- Connector in compliance with EN 175301-803, Form A (DIN 43650, Form A)

Ingress Protection

IP65

Output signal

The contact changes when the flow decreases below the set point.

Power supply

Not required (micro switch)

Optional:

Status indication

red LED (see Connection diagram)

Gold contact

125 V AC / 30 V DC · 100 mA

CONNECTION DIAGRAM

Optional: with red LED

