

Flowmeter

DHGA-2

DHGA-4



OVERVIEW

Operation

- Impeller

Application

- Mechanical engineering
- Pharmaceutical industry
- Chemical industry
- Research & Development

Features

- Universal orientation
- High accuracy
- Analog output (4 - 20 mA)
- High chemical resistance (ECTFE-Version)
- Threaded connection

Installation information

- The installation of the flowmeter can be done in any way in the system. The optimum aeration will be achieved when mounted vertically. The flow direction must be observed.
- The flowmeter must not be used as a supporting part in a pipe construction.
- The medium must not contain any solids.
- External magnetic fields influence the measurement. Keep sufficient distance to magnetic fields (e.g. electric motors).
- **Download: www.meister-flow.com**

OPERATING DATA

Operating pressure, max.	10 bar
Burst pressure (22 °C)	> 30 bar
Operating temperature	0 °C - 60 °C
Measuring accuracy	± 2 % of measured value ⁽¹⁾
Repeatability	< ± 0,8 % of measured value ⁽¹⁾
Viscosity range	1 - 10 cSt
Sensing principle	Hall effect, contact-free measuring technique

⁽¹⁾ Under the same operating conditions

MEASURING RANGES

Type	Measuring range for H ₂ O at 22 °C
	l/h
DHGA-2	1,5 – 100
DHGA-4	6 – 250

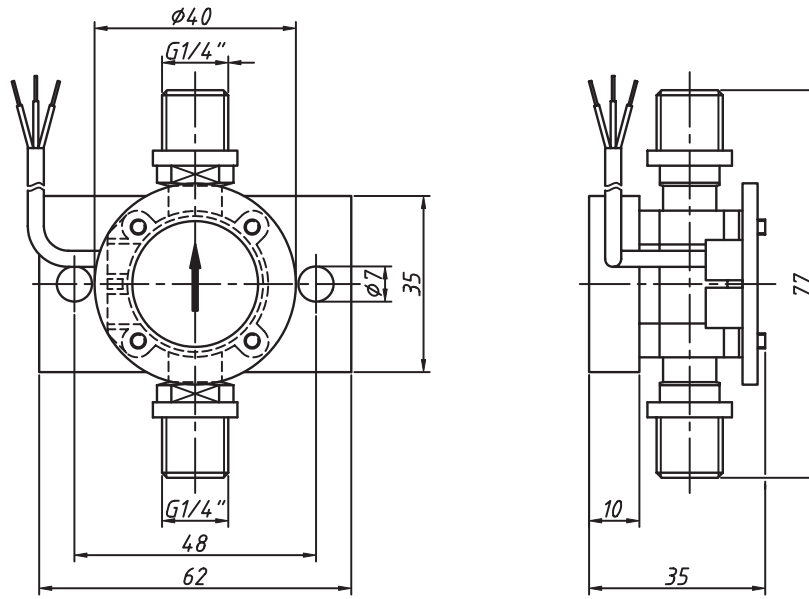
MATERIALS

POM version	
Sensor housing:	POM
Impeller:	POM
Bearing (spigot bearing)	
Axle / Bearing:	Corepoint® / POM
Magnets:	sintered ceramic
O-Rings:	FKM or EPDM ⁽²⁾
Weight:	approx. 45 g
Process connection:	Threaded G 1/4"

ECTFE version	
Sensor housing:	ECTFE
Impeller:	ECTFE
Bearing (spigot bearing)	
Axle / Bearing:	Sapphire / Ruby
Magnets:	ECTFE-encapsulated
O-Rings:	FKM or EPDM ⁽²⁾
Weight:	approx. 50 g
Process connection:	Threaded G 1/4" or 5/8" UNF

⁽²⁾ FKM: green color code / EPDM: black color code / KALREZ® (optional): white color code

TECHNICAL DRAWING



Flow in direction of arrow
optimum installation position as shown

ELECTRICAL DATA

Power supply	12 - 24 VDC ⁽³⁾
Output signal	4 - 20 mA ⁽⁴⁾

⁽³⁾ see measuring circuit example on page 4

⁽⁴⁾ Measurement limits are programmed by the operator

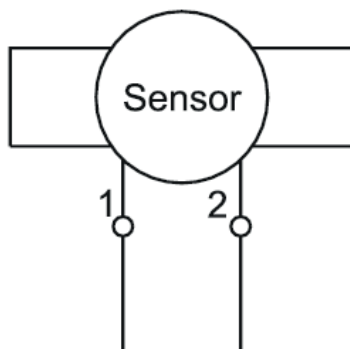
ELECTRICAL CONNECTION

- Cable (1,9 m)
Round cable 2 x 0,14 mm² LIYY

Ingress Protection

IP65

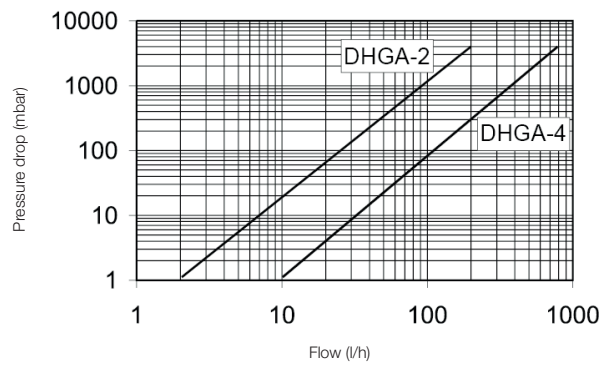
CONNECTION DIAGRAM



- | | | |
|----|-----------|-------|
| 1: | 4 - 20 mA | white |
| 2: | 4 - 20 mA | brown |

DIAGRAMS

Pressure drop diagram



Measuring circuit (example)

