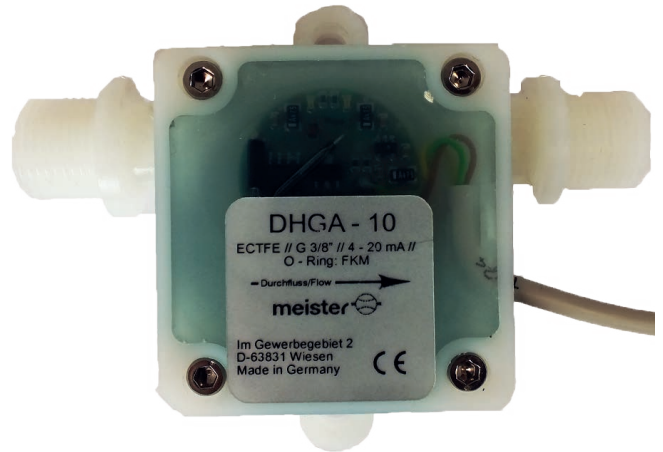


## Flowmeter

# DHGA-10



H<sub>2</sub>O

## OVERVIEW

### Operation

- Impeller

### Application

- Mechanical engineering
- Pharmaceutical industry
- Chemical industry
- Research & Development

### Features

- Universal orientation
- High accuracy
- Analog output (4 - 20 mA)
- High chemical resistance (ECTFE-Version)
- Threaded connection

### Installation information

- The installation of the flowmeter can be done in any way in the system. The optimum aeration will be achieved when mounted vertically. The flow direction must be observed.
- The flowmeter must not be used as a supporting part in a pipe construction.
- The medium must not contain any solids.
- External magnetic fields influence the measurement. Keep sufficient distance to magnetic fields (e.g. electric motors).
- **Download: [www.meister-flow.com](http://www.meister-flow.com)**

## OPERATING DATA

<b>Operating pressure, max.</b>	6 bar
<b>Burst pressure (22 °C)</b>	> 15 bar
<b>Operating temperature</b>	0 °C - 60 °C
<b>Measuring accuracy</b>	± 2 % of measured value <sup>(1)</sup>
<b>Repeatability</b>	< ± 0,8 % of measured value <sup>(1)</sup>
<b>Viscosity range</b>	1 - 10 cSt
<b>Sensing principle</b>	Hall effect, contact-free measuring technique

<sup>(1)</sup> Under the same operating conditions

## MEASURING RANGES

Type	Measuring range for H <sub>2</sub> O at 22 °C	
	l/h	Version
DHGA-10	50 – 1000 <sup>(2)</sup>	POM
DHGA-10	80 – 1000	ECTFE

<sup>(2)</sup> Optional (with ceramic bearing) 80 - 1000 l/h

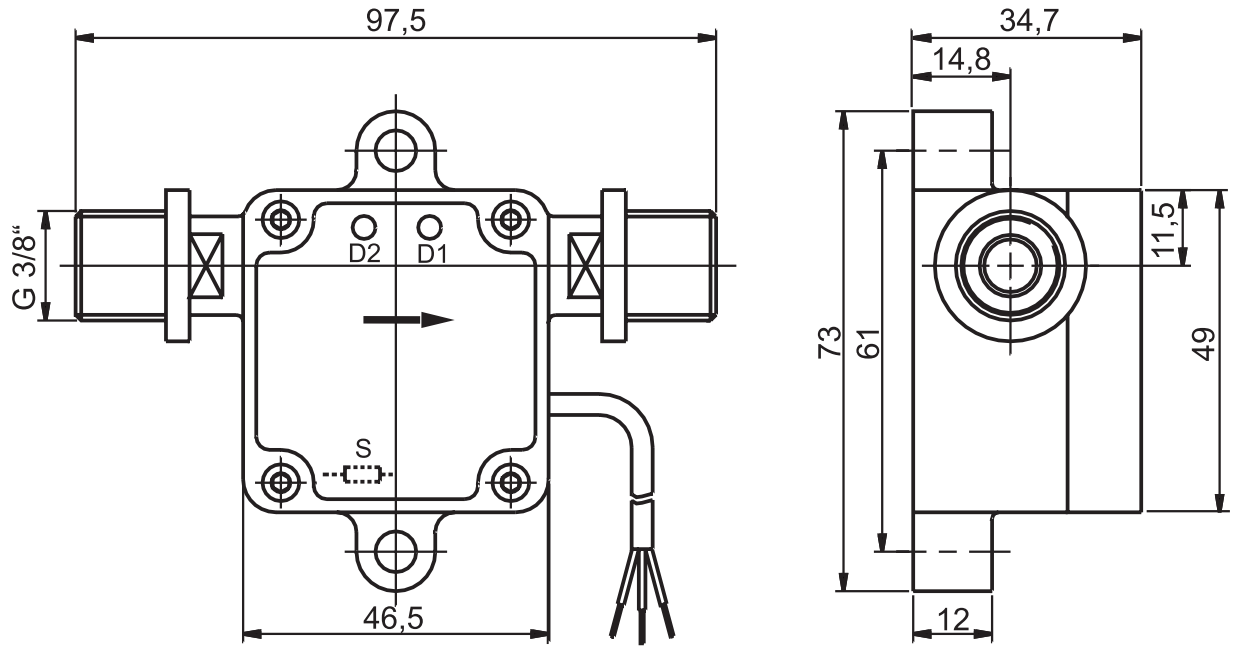
## MATERIALS

POM version	
Sensor housing:	POM
Impeller:	POM
Bearing (spigot bearing)	
standard (Axle / Bearing):	Corepoint® / POM
optional (Axle / Bearing):	Ceramic / Ceramic
Magnets:	POM - encapsulated
O-Rings:	FKM or EPDM <sup>(3)</sup>
Weight:	approx. 80 g
Process connection:	Threaded G 3/8"

ECTFE version	
Sensor housing:	ECTFE
Impeller:	ECTFE
Bearing (spigot bearing)	
standard (Axle / Bearing):	Ceramic / Ceramic
optional (Axle / Bearing):	---
Magnets:	ECTFE - encapsulated
O-Rings:	FKM or EPDM <sup>(3)</sup>
Weight:	approx. 140 g
Process connection:	Threaded G 3/8"

<sup>(3)</sup> FKM: green color code / EPDM: black color code / KALREZ® (optional): white color code

## TECHNICAL DRAWING



## ELECTRICAL DATA

<b>Power supply</b>	12 - 24 VDC <sup>(4)</sup>
<b>Output signal</b>	4 - 20 mA <sup>(5)</sup>

<sup>(4)</sup> see measuring circuit example on page 4

<sup>(5)</sup> Measurement limits are programmed by the operator

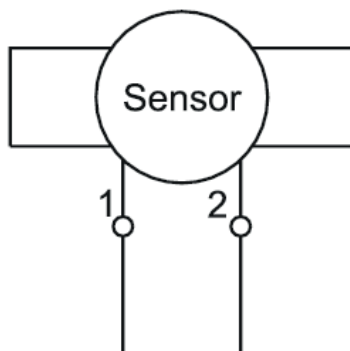
## ELECTRICAL CONNECTION

- Cable (1 m)  
Round cable 2 x 0,14 mm<sup>2</sup> LIYY

### Ingress Protection

IP65

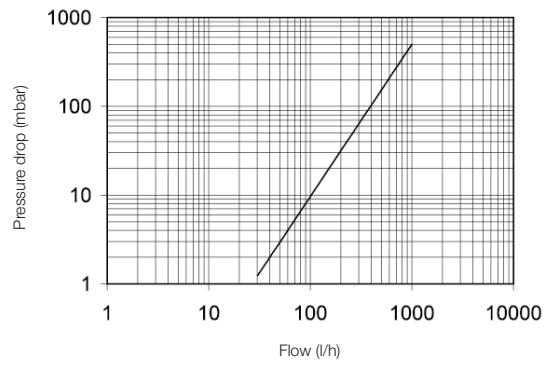
## CONNECTION DIAGRAM



- |    |           |       |
|----|-----------|-------|
| 1: | 4 - 20 mA | white |
| 2: | 4 - 20 mA | brown |

# DIAGRAMS

## Pressure drop diagram



## Measuring circuit (example)

