

# Mark 50 Series

## Self-Operated Back Pressure Regulators

The Mark 50 Sliding Gate Back Pressure Regulator is used to regulate upstream pressure at a predetermined setpoint. The spring in the Mark 50 holds the sliding gate seats in their normally closed position.

The upstream pressure is sensed beneath the diaphragm. As the upstream pressure exceeds the setpoint, pressure is exerted on the diaphragm which raises the stem to modulate the disc (the movable component of the sliding gate seat set) toward the open position. As the seats open, upstream pressure will be regulated to the required setpoint. A decrease in pressure relaxes the spring and diaphragm to move the seats toward the closed position.

*This brochure includes the following Series:*

- **MK50:** a line of self-operating back pressure regulators designed with Jordan Valve's sliding gate seats
- **MK51:** The MK51 features a larger diaphragm than a standard MK50 to provide even greater sensitivity and more accurate regulation of your required setpoint
- **MK50QC:** The MK50QC features a "Quick Change" dome for simple range spring replacements. Ideal for facilities with multiple back pressure requirements as it is possible to stock one valve with several spare springs to cover a wide range of needs
- **MK50H:** The MK50H features a handwheel that is mounted on the adjusting screw to allow easy setpoint changes
- **MK50HP:** The MK50HP option is an elongated spring housing that features a large spring for high pressure setpoints up to 450 psi (31,03 bar)
- **MK50GP:** The MK50GP option is used in grain processing for starch cookers and other viscous services
- **MK50CR:** The MK50CR option has a special spring housing for use if the valve is in cryogenic services
- **MK501/502:** The MK501 and MK502 meet higher capacity requirements than standard back pressure regulators



### MARK 50 FEATURES

- **Sliding Gate Trim** — unique seat design for unsurpassed trim life and accuracy.
- **Jorcote Seat Coating** — ceramic composite for liquids, gases and especially steam. Very low friction with outstanding wear resistance. Steam tested to 1,000,000 cycles and still maintained Class IV leakage.
- **Jorlon Diaphragm** — extremely durable, virtually universally applicable up to 450°F, standard 316 SST diaphragm applicable up to 650°F. Tested without failure to over 1,000,000 full stroke cycles. Ideal for steam, gases and liquids.
- **Straight-through Flow** — The flow is straight through the valve seats and body. Direction of the disc travel is perpendicular to the flow, not opposed to the direction of the flow. Thus, the flow does not unbalance the seats. The MK50 can use a wider range of its stroke to give accurate control; less offset and rangeability up to 20:1.
- **Quiet Operation** — typically 5-10 dB less than conventional globe style regulators. The disc and plate are always in contact, which eliminates chattering. Straight-through flow minimizes turbulence. Multiple orifices in the plate and disc divide the flow stream into smaller flow components.
- **Minimum Maintenance** — The MK50 sliding gate seats require no special tools for disassembly. The seats are pre-lapped at the factory and are self-lapping while in operation ensuring a continual tight shutoff.



Jordan Valve

Jordan Valve, a Division of Richards Industries

3170 Wasson Road • Cincinnati, Ohio 45209

Telephone 513-533-5600 • Fax 513-871-0105

Toll-Free Telephone: 800-543-7311 (U. S. A. & Canada)

E-Mail: info@richardsind.com • URL: www.jordanvalve.com

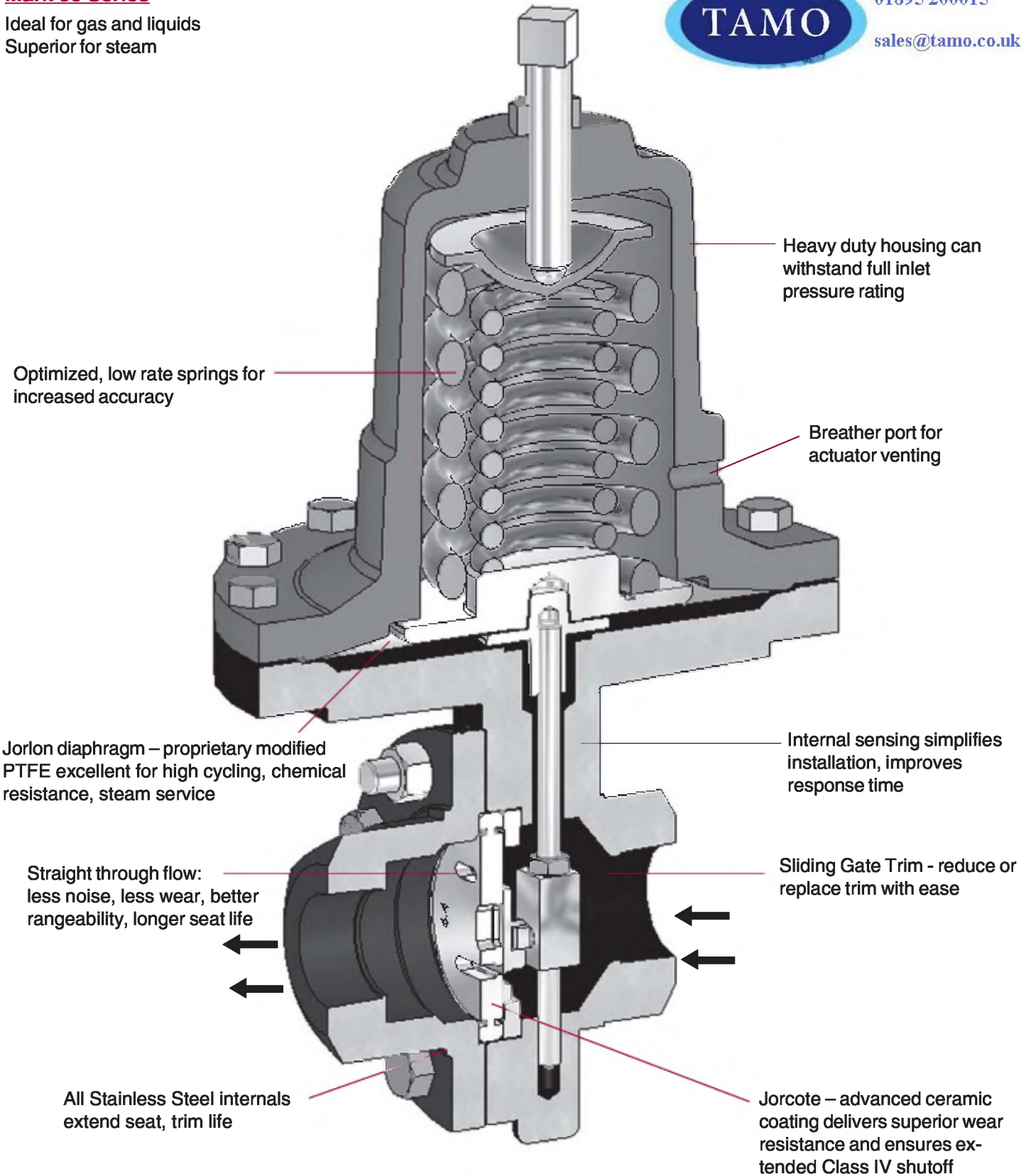


01895 200015

sales@tamo.co.uk

**Mark 50 Series**

Ideal for gas and liquids  
Superior for steam



**SPECIFICATIONS — MK50/50QC/51/50HP**

**Sizes:** (note: 1/4" & 3/8" sizes use 1/2" body with reducers)

- Mark 50: 1/4" through 4" (DN8 through DN100)
- Mark 50QC: 1/4" through 2" (DN8 through DN50)
- Mark 51: 1/4" through 3/4" (DN8 through DN20)
- Mark 50HP: 1/4" through 4" (DN8 through DN100)

**End Connections**

- Threaded — FNPT, BSPT, BSPP (1/2" - 2" only, DN15-DN50)
- ANSI Flanges (150#, 300#, 600#)
- DIN Flanges (PN10/16, PN25/40)
- JIS Flanges (upon request)

**Spring Housing**

- Ductile Iron — 1/4" through 2" (DN8 through DN50)
- Ductile Iron — 2-1/2" through 4" (DN65 through DN100)

**Body Materials**

- Ductile Iron
- Bronze (1/2" - 2", DN15-DN50)
- Carbon Steel (A216 WCB)
- Stainless Steel (A351/CF8M)

**Trim Materials:**

- 303SST — Standard on Ductile Iron, Bronze, Carbon Steel valves
- 316SST — Standard on Stainless Steel valves
- Monel, Hastelloy and other Alloys available

**Pressure Control Ranges:** Select a range to match your setpoint. For optimal performance, your setpoint should fall in the upper portion of the selected range.

Model	Size (DN)	Spring Ranges	
		PSI	BAR
50 & 50QC	1/4" - 3/4" (DN8 - DN20)	2 - 20	0,14 - 1,38
		10 - 30	0,69 - 2,07
		20 - 45	1,38 - 3,10
		30 - 135	2,07 - 9,31
		80 - 185	5,52 - 12,76
	1" - 2" (DN25 - DN50)	1/2 - 4	0,03 - 0,28
		2 - 6	0,14 - 0,41
		4 - 13	0,28 - 0,90
		8 - 20	0,55 - 1,38
		15 - 80	1,03 - 5,52
		45 - 150	3,10 - 10,34
		4 - 15	0,28 - 1,03
	2-1/2" - 4" (DN65 - DN100)	7 - 24	0,48 - 1,65
		16 - 30	1,10 - 2,07
		75 - 190	5,17 - 13,10
50HP	1/2" - 2" (DN15 - DN40)	100 - 320	6,89 - 22,06
		150 - 450	10,34 - 31,02
		25 - 50	1,72 - 3,45
	2-1/2" - 4" (DN65 - DN100)	40 - 80	2,76 - 5,52
51	1/4" - 3/4" (DN8 - DN20)	1/2 - 5	0,03 - 0,34
		2 - 10	0,14 - 0,69
		2 - 20	0,14 - 1,38
		10 - 30	0,69 - 2,07
		20 - 50	1,38 - 3,45
		20 - 70	1,38 - 4,83
		40 - 105	2,76 - 7,24
		25 - 150	1,72 - 10,34
		30 - 170	2,07 - 11,72

**Seat Materials:**

- Jorcote on SST — Standard
- Jorcote/Jordanic on SST — For Severe Service
- Other materials available — Consult factory

**Diaphragm Materials:**

- Stainless Steel — Standard on 1/4" - 2" (DN8-DN50)
- Buna-N — Standard on 2-1/2" - 4" (DN65-DN100)
- Jorlon — On steam service 2-1/2" - 4" (DN65-DN100) See page 12 of this brochure for details
- Viton — Optional

**Service:** Steam, water, oil, gas, air and chemicals

**Shutoff:** ANSI Class IV

**Options:**

- **Double Bolting:** improves the pressure rating of the valve and ensures a tight seal between the spring housing and the body for services with high inlet pressures
- **High Pressure Spring Housing:** the HP option is an elongated spring housing that features a large spring for high pressure setpoints (up to 450 psi/31 bar)
- **Handwheel:** the H option is a handwheel that is mounted on the adjusting screw to allow for easy setpoint changes
- **Exotic Alloys:** where service conditions dictate the use of specialty materials, the Mark 50 Series can be produced with bodies, trim and seats in Monel, Alloy 20, Hastelloy B, Hastelloy C, Titanium and others
- **GP Option:** grain processing modification for starch cookers and other viscous services.
- **Cryogenic Service:** CR option is a special spring housing for use if valve is in cryogenic conditions

**CV Values & Maximum Differential Pressures**

Cv (Kv)	Size (DN)	Seat Material	Maximum ΔP PSI (bar)
0.84 (0,74)	1/4" & 3/8" (DN8 & 12)	SST	125 (8,62)
1.6 (1,38)		Jorcote	500 (37,92)
2.5 (2,15)	1/2" & 3/4" (DN15 & 20)	SST	125 (8,62)
4.4 (3,78)		Jorcote	550 (37,92)
6.4 (5,50)	1" & 1-1/4" (DN25 & 32)	SST	125 (8,62)
9.5 (8,17)		Jorcote	450 (31,03)
15 (12,9)	1-1/2" (DN40)	SST	75 (5,17)
		Jorcote	450 (31,03)
25 (21,5)	2" (DN50)	SST	75 (5,17)
30 (25,8)		Jorcote	450 (31,03)
55 (47,3)	2-1/2" (DN65)	Jorcote	150 (10,34)
115 (98,9)	3" (DN80)	Jorcote	150 (10,34)
200 (172)	4" (DN100)	Jorcote	150 (10,34)

**Low Flow Cv's:** reduced Cv's (Kv's) are available. Cv (Kv) ratings of smaller valves can be supplied in larger-sized valves.

0.42 (0,36)	0.21 (0,18)	0.08 (0,07)	0.04 (0,03)	0.02 (0,02)
0.008 (0,007)	0.004 (0,003)	0.002 (0,002)	0.0008 (0,0007)	(N/A in 316SS)

MK50 SELF-OPERATING BACK PRESSURE REGULATORS

**Cv VERSUS BUILD-UP DATA**

Model Mark 50 & 50QC							
Size NPS	Nominal Cv	Set Pressure	Cv @ 5% BUILD-UP	Cv @ 10% BUILD-UP	Cv @ 15% BUILD-UP	CV @ 20% BUILD-UP	Cv @ 30% BUILD-UP
1/4" - 3/4"	1.6	20	0.25	0.38	0.52	0.64	0.85
		30	0.24	0.38	0.51	0.63	0.84
		45	0.26	0.40	0.54	0.67	0.91
		135	0.35	0.57	0.78	0.98	1.33
		185	0.35	0.58	0.79	1.00	1.37
	2.5	20	0.39	0.61	0.81	1.00	1.33
		30	0.38	0.59	0.79	0.98	1.32
		45	0.40	0.63	0.84	1.05	1.42
		135	0.54	0.89	1.22	1.53	2.08
		185	0.54	0.90	1.24	1.85	2.13
	4.4	20	0.69	1.07	1.42	1.76	2.35
		30	0.66	1.04	1.39	1.72	2.32
		45	0.70	1.11	1.48	1.85	2.49
		135	0.95	1.57	2.14	2.69	3.66
		185	0.95	1.59	2.17	2.74	3.75
1-1/4"	6.4	4	0.74	1.13	1.48	1.81	2.41
		6	0.75	1.17	1.54	1.90	2.53
		10	0.77	1.21	1.60	1.99	2.66
		20	0.76	1.17	1.57	1.95	2.65
		80	1.08	1.85	2.57	3.27	4.57
	150	1.63	2.96	4.24	5.50	6.40	
	9.5	4	1.09	1.67	2.19	2.69	3.58
		6	1.11	1.73	2.29	2.82	3.75
		10	1.14	1.79	2.38	2.95	3.95
		20	1.12	1.74	2.33	2.90	3.93
80		1.60	2.74	3.81	4.85	6.79	
1-1/2"	15	150	2.42	4.39	6.30	8.16	9.50
		4	1.59	2.38	3.09	3.77	4.96
		6	1.61	2.46	3.22	3.93	5.20
		10	1.66	2.54	3.33	4.11	5.47
		20	1.63	2.47	3.27	4.04	5.45
		80	2.29	3.84	5.29	6.71	9.35
2"	25	150	3.42	6.10	8.70	11.20	15.00
		4	2.63	3.96	5.15	6.29	8.26
		6	2.70	4.09	5.36	6.56	8.66
		10	2.76	4.23	5.54	6.85	9.12
		20	2.72	4.12	5.45	6.74	9.09
	30	80	3.82	6.40	8.82	11.19	15.59
		150	5.69	10.16	14.50	18.72	25.00
		4	3.16	4.77	6.21	7.56	9.97
		6	3.24	4.93	6.45	7.90	10.44
		10	3.35	5.08	6.65	8.22	10.95
2-1/4" - 4"	55	20	3.26	4.95	6.54	8.09	10.90
		80	4.59	7.68	10.59	13.43	18.71
		150	6.83	12.19	17.40	22.46	30.00
	115	15	22.00	40.24	55.00	55.00	55.00
		20	16.69	30.13	43.17	55.00	55.00
		30	13.38	23.60	33.69	43.58	55.00
	200	15	40.26	73.10	104.44	115.00	115.00
		20	31.10	54.93	78.37	101.15	115.00
		30	24.70	43.21	61.34	79.11	113.36
		15	58.81	108.64	156.79	200.00	200.00
30	20	44.01	80.90	116.68	151.45	200.00	
	30	34.69	62.97	90.64	117.77	170.10	

Notes:

1. Installed Cv is the Failure Cv for Safety Relief Valve Sizing
2. Assumes SST diaphragm, optimal spring range for set point, and minimum flow = 5% of Cv
3.  Indicates valve reaches full Cv before offset is attained

**Cv VERSUS BUILD-UP DATA**

Model Mark 51							
Size NPS	Installed Cv	Set Pressure	Cv @ 5% BUILD-UP	Cv @ 10% BUILD-UP	Cv @ 15% BUILD-UP	CV @ 20% BUILD-UP	Cv @ 30% BUILD-UP
1/4" - 3/4"	1.6	5	0.23	0.38	0.52	0.64	0.87
		10	0.28	0.47	0.64	0.79	1.08
		20	0.32	0.54	0.75	0.94	1.29
		30	0.35	0.59	0.84	1.06	1.46
		50	0.38	0.67	0.94	1.20	1.60
		80	0.45	0.80	1.15	1.47	1.60
		115	0.50	0.92	1.32	1.60	1.60
		160	0.70	1.32	1.60	1.60	1.60
		180	0.74	1.40	1.60	1.60	1.60
	2.5	5	0.36	0.60	0.81	1.00	1.36
		10	0.43	0.73	0.99	1.24	1.69
		20	0.49	0.84	1.17	1.47	2.01
		30	0.54	0.93	1.31	1.65	2.28
		50	0.60	1.04	1.47	1.88	2.50
		80	0.70	1.26	1.79	2.30	2.50
		115	0.78	1.43	2.06	2.50	2.50
		160	1.10	2.06	2.50	2.50	2.50
		180	1.16	2.19	2.50	2.50	2.50
	4.4	5	0.64	1.05	1.42	1.76	2.39
		10	0.76	1.28	1.75	2.18	2.98
		20	0.87	1.48	2.05	2.58	3.54
		30	0.96	1.63	2.30	2.91	4.01
		50	1.05	1.84	2.60	3.31	4.40
		80	1.23	2.21	3.15	4.05	4.40
		115	1.38	2.52	3.63	4.40	4.40
		160	1.93	3.62	4.40	4.40	4.40
		180	2.04	3.85	4.40	4.40	4.40

Notes:

1. Installed Cv is the Failure Cv for Safety Relief Valve Sizing
2. Assumes SST diaphragm, optimal spring range for set point, and minimum flow = 5% of Cv
3.  Indicates valve reaches full Cv before offset is attained

MK50 SELF-OPERATING BACK PRESSURE REGULATORS

**MAXIMUM WORKING PRESSURE, PSI**

**MAXIMUM WORKING PRESSURE, BAR**

Temp °F	1/4" - 2"					
	DI Body			BRZ Body		
	150#	300#	TE	150#	300#	TE
-20 to 100	250	300 [600]	300 [600]	225	300 [500]	300 [500]
200	235	300 [600]	300 [600]	215	300 [475]	300 [475]
300	215	300 [565]	300 [600]	195	300 [425]	300 [425]
400	200	300 [525]	300 [600]	170	300 [375]	300 [375]
500	170	300 [495]	300 [600]	150	300 [325]	300 [325]
600	140	300 [465]	300 [600]	—	—	—
650	125	300 [450]	300 [600]	—	—	—

Temp °C	DN8 - DN50					
	DI Body			BRZ Body		
	150#	300#	TE	150#	300#	TE
-29 to 38	17	21 [41]	21 [41]	16	21 [34]	21 [34]
93	16	21 [41]	21 [41]	15	21 [33]	21 [33]
149	15	21 [39]	21 [41]	13	21 [29]	21 [29]
204	14	21 [36]	21 [41]	12	21 [26]	21 [26]
260	12	21 [34]	21 [41]	10	21 [22]	21 [22]
316	10	21 [32]	21 [41]	—	—	—
343	9	21 [31]	21 [41]	—	—	—

Temp °F	1/4" - 2"					
	CS Body			SS Body		
	150#	300#	TE	150#	300#	TE
-20 to 100	285	300 [740]	300 [950]	275	300 [720]	300 [950]
200	260	300 [675]	300 [950]	240	300 [620]	300 [950]
300	230	300 [655]	300 [950]	215	300 [560]	300 [950]
400	200	300 [635]	300 [950]	195	300 [515]	300 [950]
500	170	300 [600]	300 [950]	170	300 [480]	300 [950]
600	140	300 [550]	300 [950]	140	300 [450]	300 [905]
650	125	300 [535]	300 [950]	125	300 [445]	300 [890]

Temp °C	DN8 - DN50					
	CS Body			SS Body		
	150#	300#	TE	150#	300#	TE
-29 to 38	20	21 [51]	21 [66]	19	21 [49]	21 [66]
93	18	21 [47]	21 [66]	17	21 [43]	21 [66]
149	16	21 [45]	21 [66]	15	21 [39]	21 [66]
204	14	21 [44]	21 [66]	13	21 [36]	21 [66]
260	12	21 [41]	21 [66]	12	21 [33]	21 [66]
316	10	21 [38]	21 [66]	10	21 [31]	21 [62]
343	9	21 [37]	21 [66]	9	21 [31]	21 [61]

Temp °F	2-1/2" - 4"					
	DI Body		CS Body		SS Body	
	150#	300#	150#	300#	150#	300#
-20 to 100	250	500	285	500	275	500
200	235	500	260	500	240	500
300	215	500	230	500	215	500
400	200	500	200	500	195	500
500	170	495	170	500	170	500
600	140	300	140	300	140	300
650	125	300	125	300	125	300

Temp °C	DN65- DN100					
	DI Body		CS Body		SS Body	
	150#	300#	150#	300#	150#	300#
-29 to 38	17	34	20	34	19	34
93	16	34	18	34	17	34
149	15	34	16	34	15	34
204	4	34	14	34	13	34
260	12	34	12	34	12	34
316	10	21	10	21	10	21
343	9	21	9	21	9	21

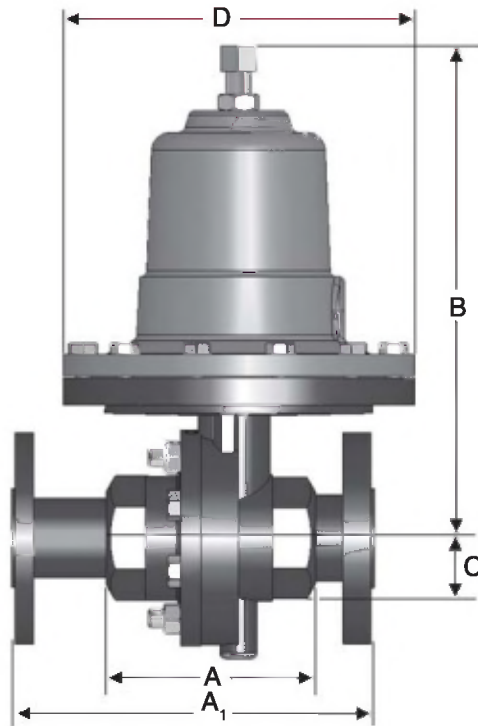
Temp °F	50 HP Series (1/2" - 2")	
	CS Body	SS Body
	600# Flange or NPT	600# Flange or NPT
100	1480	1440
200	1355	1240
300	1315	1120
400	1270	1030
500	1208	955
600	1095	905
650	1075	890

Temp °C	50 HP Series (DN15-50)	
	CS Body	SS Body
	600# Flange or NPT	600# Flange or NPT
38	102	99
93	93	85
149	91	77
204	88	71
260	83	66
316	75	62
343	74	61

Notes:

- 1 Double bolting option is required to reach pressures indicated in Brackets [ ].
- 2 If weld flanges are supplied, use ratings in "TE" column or flange rating, whichever is less (i.e. ANSI 600/900 flanges or PN64/100 flanges).

**DIMENSIONS — MK50/MK50QC**



■ Mark 50/MK50QC\*: Threaded & FSW Ends

Size	Material	A	B	B~QC	C	D	Weight (lbs)
1/2" & 3/4"	DI/BRZ	3.62"	8.50"	10.25"	1.69"	5.12"	10#
	CS/SS	3.62"	8.50"	10.25"	1.69"	5.12"	12#
1"	DI/BRZ	4.12"	10.00"	11.37"	2.62"	7.09"	21#
	CS/SS	4.18"	10.75"	12.00"	2.63"	7.09"	25#
1-1/4"	DI/BRZ	4.12"	10.00"	11.37"	2.62"	7.09"	21#
1-1/2"	DI/BRZ	4.50"	10.25"	11.37"	2.31"	7.09"	23#
	CS/SS	4.81"	11.00"	12.25"	2.25"	7.09"	31#
2"	DI/BRZ	4.50"	10.25"	11.37"	2.75"	7.09"	26#
	CS/SS	5.50"	11.00"	12.25"	2.75"	7.09"	35#

\*For MK50QC, use Column B~QC

■ Mark 50/MK50QC: Threaded & FSW Ends, Metric

Size	Material	A	B	B~QC	C	D	Weight (kg)
DN15 & 20	DI/BRZ	91,95	215,90	260,35	42,93	130,05	4,5
	CS/SS	91,95	215,90	260,35	42,93	130,05	5,4
DN25	DI/BRZ	104,65	254,00	288,80	66,55	180,09	9,5
	CS/SS	106,17	273,05	304,80	66,55	180,09	11,3
DN32	DI/BRZ	104,65	254,00	288,80	66,55	180,09	9,5
DN40	DI/BRZ	114,30	260,35	288,80	58,67	180,09	10,4
	CS/SS	122,17	279,40	311,15	57,15	180,09	14,1
DN50	DI/BRZ	114,30	260,35	288,80	69,85	180,09	11,8
	CS/SS	139,70	279,40	311,15	69,85	180,09	15,9

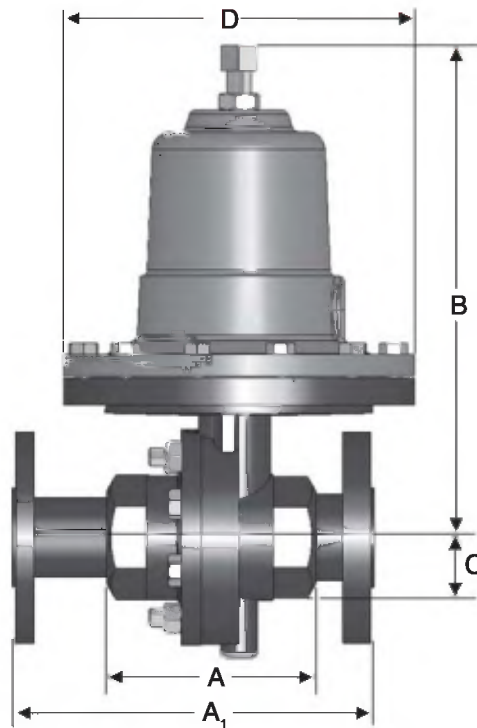
\*For MK50QC, use Column B~QC



01895 200015

sales@tamo.co.uk

**DIMENSIONS — MK50**



■ Mark 50: Integral Flanges: ANSI, CS & SS Bodies

Size	ANSI Flange	A1		B		C		D		Weight (lbs)	
		D/BRZ	CS/SS	D/BRZ	CS/SS	All	All	D/BRZ	CS/SS		
1/2"	150#	7.25	7.25	8.50	8.50	1.69	5.12	13	15		
	300#	7.50	7.50	8.50	8.50	1.69	5.12	14	16		
3/4"	150#	7.25	7.25	8.50	8.50	1.69	5.12	14	16		
	300#	7.62	7.62	8.50	8.50	1.69	5.12	16	17		
1"	150#	7.25 <sup>1</sup>	7.25 <sup>2</sup>	10.00	10.75	2.62	7.09	26	34		
	300#	8.75 <sup>1</sup>	7.75 <sup>2</sup>	10.00	10.75	2.62	7.09	28	37		
1-1/4"	150#	7.87	—	10.00	—	2.62	7.09	28	—		
	300#	8.37	—	10.00	—	2.62	7.09	31	—		
1-1/2"	150#	8.75 <sup>1</sup>	8.75 <sup>2</sup>	10.25	11.22	2.31	7.09	42	46		
	300#	10.25 <sup>1</sup>	9.25 <sup>2</sup>	10.25	11.22	2.31	7.09	45	52		
2"	150#	10.00	10.00	10.25	11.42	2.75	7.09	46	50		
	300#	10.50	10.50	10.25	11.42	2.75	7.09	49	55		

Note: dimensions for 2-1/2" - 4" sizes apply to DI bodies also.  
 1 Not ANSI standard 2 IFE only

■ Mark 50: Companion Flanges: ANSI, Ductile & Bronze Bodies

Size	Flange	A	B	C	D	Weight (lbs)
1/2"	150#	7.25"	8.50"	1.75"	5.12"	13#
	300#	7.50"	8.50"	1.87"	5.12"	14#
3/4"	150#	7.25"	8.50"	1.93"	5.12"	14#
	300#	7.62"	8.50"	2.31"	5.12"	16#
1"	150#	7.25"	10.00"	2.12"	7.09"	26#
	300#	8.75"	10.00"	2.43"	7.09"	28#
1-1/4"	150#	7.87"	10.00"	2.31"	7.09"	28#
	300#	8.37"	10.00"	2.62"	7.09"	31#
1-1/2"	150#	8.75"	10.25"	2.50"	7.09"	42#
	300#	10.25"	10.25"	3.06"	7.09"	45#
2"	150#	10.00"	10.25"	3.00"	7.09"	46#
	300#	10.50"	10.25"	3.25"	7.09"	49#

■ Mark 50: Integral Flanges: Metric

Size	Flange PN	A1		B		C		D		Weight (kgs)	
		D/BRZ	CS/SS	D/BRZ	CS/SS	All	All	D/BRZ	CS/SS		
DN15	10/16	184,2	184,2	215,9	215,9	42,9	130	5,9	5,9		
	25/40	190,5	190,5	215,9	215,9	42,9	130	6,4	6,4		
DN20	10/16	184,2	184,2	215,9	215,9	42,9	130	6,4	6,4		
	25/40	193,5	93,5	215,9	215,9	42,9	130	7,3	7,7		
DN25	10/16	184,2 <sup>1</sup>	184,2 <sup>2</sup>	254,0	273,1	66,5	180	11,8	15,4		
	25/40	222,3 <sup>1</sup>	196,9 <sup>2</sup>	254,0	273,1	66,5	180	12,7	16,8		
DN32	10/16	199,9	—	254,0	—	66,5	180	12,7	—		
	25/40	212,6	—	254,0	—	66,5	180	14,1	—		
DN40	10/16	222,3 <sup>1</sup>	222,3 <sup>2</sup>	260,4	285,0	58,7	180	19,1	20,9		
	25/40	260,3 <sup>1</sup>	235,0 <sup>2</sup>	260,4	285,0	58,7	180	20,4	23,6		
DN50	10/16	254,0	254,0	260,4	290,1	69,9	180	20,9	22,7		
	25/40	266,7	266,7	260,4	290,1	69,9	180	22,2	24,9		

Note: dimensions for DN65-80" sizes apply to DI bodies also.  
 1 Not ANSI standard 2 IFE only

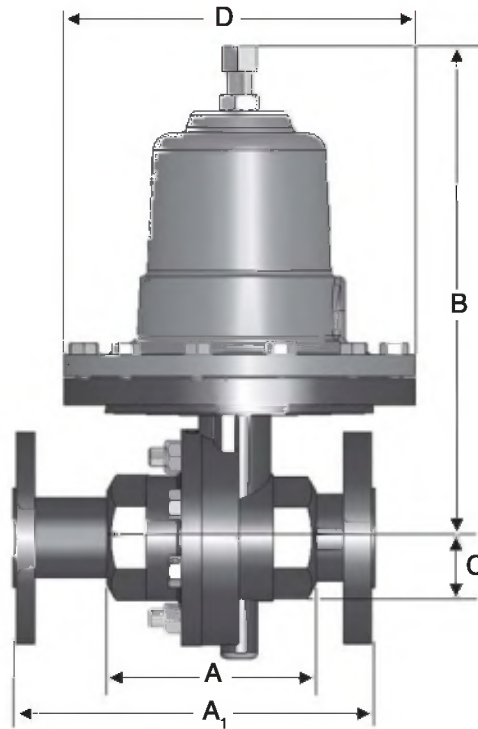
■ Mark 50: Companion Flanges: ANSI, Ductile & Bronze Bodies

Size DN	Flange PN	A	B	C	D	Weight (kgs)
DN15	10/16	184,2	215,9	44,5	130	5,9
	25/40	190,5	215,9	47,5	130	6,4
DN20	10/16	184,2	215,9	49,0	130	6,4
	25/40	193,5	215,9	58,7	130	7,3
DN25	10/16	184,2	254,0	53,8	180	11,8
	25/40	222,3	254,0	61,7	180	12,7
DN32	10/16	199,9	254,0	58,7	180	12,7
	25/40	212,6	254,0	66,5	180	14,1
DN40	10/16	222,3	260,4	63,5	180	19,1
	25/40	260,3	260,4	77,7	180	20,4
DN50	10/16	254,0	260,4	76,2	180	20,9
	25/40	266,7	260,4	82,6	180	22,2



# MK50 SELF-OPERATING BACK PRESSURE REGULATORS

## DIMENSIONS — MK50



### ■ Mark 50: Flanged Ends, ANSI

Size	ANSI Flange	Dimensions (in)						Weight (lbs)	
		A1		B		C	D	D/BRZ	CS/SS
		D/BRZ	CS/SS	D/BRZ	CS/SS	ALL	ALL		
1/2"	150#	7.25	7.25	8.50	8.50	1.69	5.12	13	15
	300#	7.50	7.50	8.50	8.50	1.69	5.12	14	16
3/4"	150#	7.25	7.25	8.50	8.50	1.69	5.12	14	16
	300#	7.62	7.62	8.50	8.50	1.69	5.12	16	17
1"	150#	7.25	7.25	10.00	10.75	2.62	7.09	26	34
	300#	8.75 <sup>1</sup>	7.75 <sup>2</sup>	10.00	10.75	2.62	7.09	28	37
1-1/4"	150#	7.87	—	10.00	—	2.62	7.09	28	—
	300#	8.37	—	10.00	—	2.62	7.09	31	—
1-1/2"	150#	8.75	8.75	10.25	11.22	2.31	7.09	42	46
	300#	10.25 <sup>1</sup>	9.25 <sup>2</sup>	10.25	11.22	2.31	7.09	45	52
2"	150#	10.00	10.00	10.25	11.42	2.75	7.09	46	50
	300#	10.50	10.50	10.25	11.42	2.75	7.09	49	55
<b>Flanged End CS/SS</b>									
Larger sizes		A	B	C	D	Weight (lbs)			
2-1/2"	125-150#	10.88	18.75	6.95	12.75	165			
	250-300#	11.50	18.75	6.95	12.75	165			
3"	125-150#	11.75	18.75	6.95	12.75	185			
	250-300#	12.50	18.75	6.95	12.75	185			
4"	125-150#	13.88	19.95	8.00	12.75	215			
	250-300#	14.50	19.95	8.00	12.75	215			

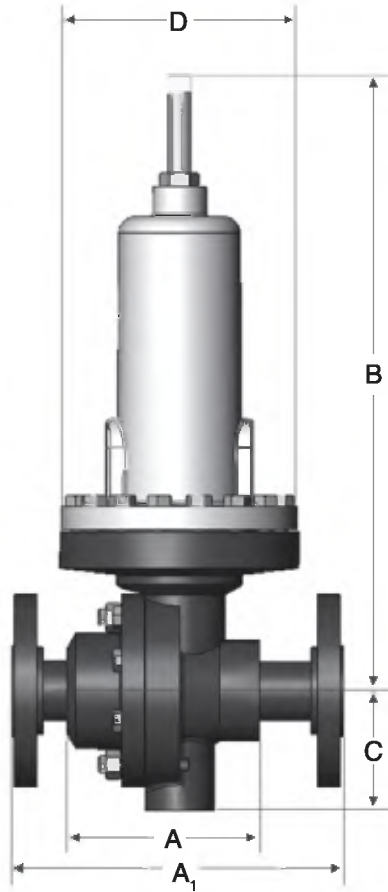
1 Not ANSI standard  
2 IFE only

### ■ Mark 50: Flanged Ends, Metric

Size DN	Flange PN	Dimensions (mm)						Weight (kg)	
		A1		B		C	D	D/BRZ	CS/SS
		D/BRZ	CS/SS	D/BRZ	CS/SS	ALL	ALL		
15	10/16	184	130	216	240	43	130	5,9	6,8
	25/40	184	130	216	240	43	130	6,4	7,3
20	10/16	184	150	216	240	43	130	6,4	7,3
	25/40	184	150	216	240	43	130	7,3	7,7
25	10/16	184	160	273	262	67	180	11,8	15,4
	25/40	184	160	273	262	67	180	12,7	16,8
32	10/16	200	—	273	—	67	180	12,7	—
	25/40	200	—	273	—	67	180	14,1	—
40	10/16	222	200	279	285	59	180	19,1	20,9
	25/40	222	200	279	285	59	180	20,4	23,6
50	10/16	254	230	279	290	70	180	20,9	22,7
	25/40	254	230	279	290	70	180	22,2	24,9
<b>Flanged End CS/SS</b>									
Larger sizes		A1	B	C	D	Weight (kg)			
65	10/16	283	476	177	324	75			
	25/40	283	476	177	324	75			
80	10/16	312	476	177	324	84			
	25/40	312	476	177	324	84			
100	10/16	350	507	203	324	98			
	25/40	350	507	203	324	98			

Smaller sizes A1 not IFE & not per DIN 3202  
Larger sizes A not per DIN3202

**DIMENSIONS — MK50HP**



■ Mark 50HP: Flanged End

Size	Flange	A1		B *	C	D	Weight (lbs)
		DI/BRZ	CS/SS	All	All	All	All
1/2"	150#	7.25"	7.25"	12.25"	1.69"	5.20"	21 •
	300#	7.50"	7.50"	12.25"	1.69"	5.20"	
	• 600#	8.00"	8.00"	12.25"	1.69"	5.20"	
3/4"	150#	7.25"	7.25"	12.25"	1.69"	5.20"	22 •
	300#	7.62"	7.62"	12.25"	1.69"	5.20"	
	• 600#	8.12"	8.12"	12.25"	1.69"	5.20"	
1"	150#	7.25"	7.25"	12.75"	2.62"	5.20"	37
	300#	7.75"	7.75"	12.75"	2.62"	5.20"	
	• 600#	8.25"	8.25"	12.75"	2.62"	5.20"	
1-1/4"	150#	7.87"	—	12.75"	2.62"	5.20"	37
	300#	8.37"	—	12.75"	2.62"	5.20"	
1-1/2"	150#	8.75"	8.75"	13.25"	2.31"	5.20"	45
	300#	9.25"	9.25"	13.25"	2.31"	5.20"	
	• 600#	9.87"	9.87"	13.25"	2.31"	5.20"	
2"	150#	10.00"	10.00"	13.50"	2.75"	5.20"	49
	300#	10.50"	10.50"	13.50"	2.75"	5.20"	
	• 600#	11.25"	11.25"	13.50"	2.75"	5.20"	

- 600# are not IFE
- For IFE, add 1" (25,4mm) to all "B" dimensions

■ Mark 50HP: Flanged End, Metric<sup>3</sup>

Size DN	Flange PN	A1		B <sup>2</sup>	C	D	Weight (kg)
		DI/BRZ <sup>1</sup>	CS/SS	All	All	All	All
15	10/16	184,2	130,0	311,2	42,9	132,1	9,5
	25/40	184,2	130,0	311,2	42,9	132,1	
20	10/16	184,2	150,0	311,2	42,9	132,1	10,0
	25/40	184,2	150,0	311,2	42,9	132,1	
25	10/16	184,2	160,0	323,9	66,6	132,1	16,8
	25/40	184,2	160,0	323,9	66,6	132,1	
32	10/16	199,9	—	323,9	66,6	132,1	16,8
	25/40	199,9	—	323,9	66,6	132,1	
40	10/16	222,3	200,0	336,6	58,7	132,1	20,4
	25/40	222,3	200,0	336,6	58,7	132,1	
50	10/16	254,0	230,0	342,9	69,9	132,1	22,2
	25/40	254,0	230,0	342,9	69,9	132,1	

- 1 Not IFE & Not per DIN3202
- 2 For IFE, Add 25,4mm
- 3 For DIN flanges above PN40, please consult factory

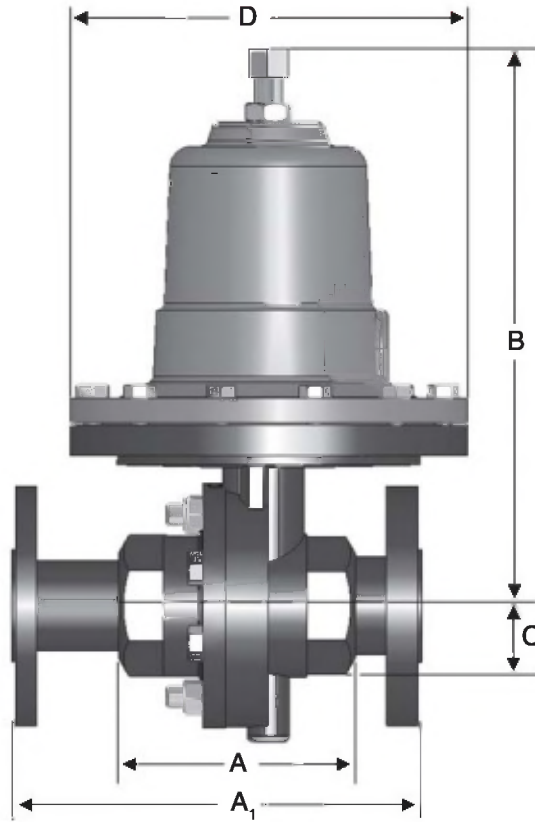
■ Mark 50HP: Threaded & FSW Ends

Size	Material	A	B	C	D	Weight (lbs)
1/2" & 3/4"	DI/BRZ	3.62"	12.25"	1.75"	5.12"	15
	CS/SS	3.62"	12.25"	1.75"	5.12"	17
1"	DI/BRZ	4.12"	12.50"	2.12"	5.20"	21
	CS/SS	4.18"	12.75"	2.12"	5.20"	25
1-1/4"	DI/BRZ	4.12"	12.50"	2.12"	5.20"	21
1-1/2"	DI/BRZ	4.50"	12.75"	2.31"	5.20"	23
	CS/SS	4.81"	13.25"	2.50"	5.20"	31
2"	DI/BRZ	4.50"	12.75"	2.50"	5.20"	26
	CS/SS	5.50"	13.50"	2.50"	5.20"	35

■ Mark 50HP: Threaded & FSW Ends, Metric

Size	Material	A	B	C	D	Weight (kg)
DN15 & 20	DI/BRZ	92,0	311,2	44,5	130,0	6,8
	CS/SS	92,0	311,2	44,5	130,0	7,7
DN25	DI/BRZ	104,7	317,5	53,9	132,1	9,5
	CS/SS	106,2	323,9	53,9	132,1	11,3
DN32	DI/BRZ	104,7	317,5	53,9	132,1	9,5
DN40	DI/BRZ	114,3	323,9	58,7	132,1	10,4
	CS/SS	122,2	336,6	63,5	132,1	14,1
DN50	DI/BRZ	114,3	323,9	63,5	132,1	11,8
	CS/SS	139,7	342,9	63,5	132,1	15,9

**DIMENSIONS — MK51**



■ Mark 51: Threaded & FSW Ends

Size	Material	A	B	C	D	Weight (lbs)
1/2" & 3/4"	DI/BRZ	3.62	10.25	2.25	7.12	12
	CS/SS	3.62	10.25	2.25	7.12	13

■ Mark 51: Flanged Ends

Size	ANSI Flange	A1		B		C	D	Weight (lbs)	
		DI/BRZ	CS/SS	DI/BRZ	CS/SS			All	All
1/2 & 3/4"	150#	9.62	9.62	10.25	10.25	2.25	7.12	26	26
	300#	10.25	10.25	10.25	10.25	2.25	7.12	29	29

■ Mark 51: Threaded & FSW Ends, Metric

Size	Material	A	B	C	D	Weight (kg)
DN15 & 20	DI/BRZ	92,0	260,4	57,2	180,9	5,4
	CS/SS	92,0	260,4	57,2	180,9	5,9

■ Mark 51: Flanged Ends, Metric

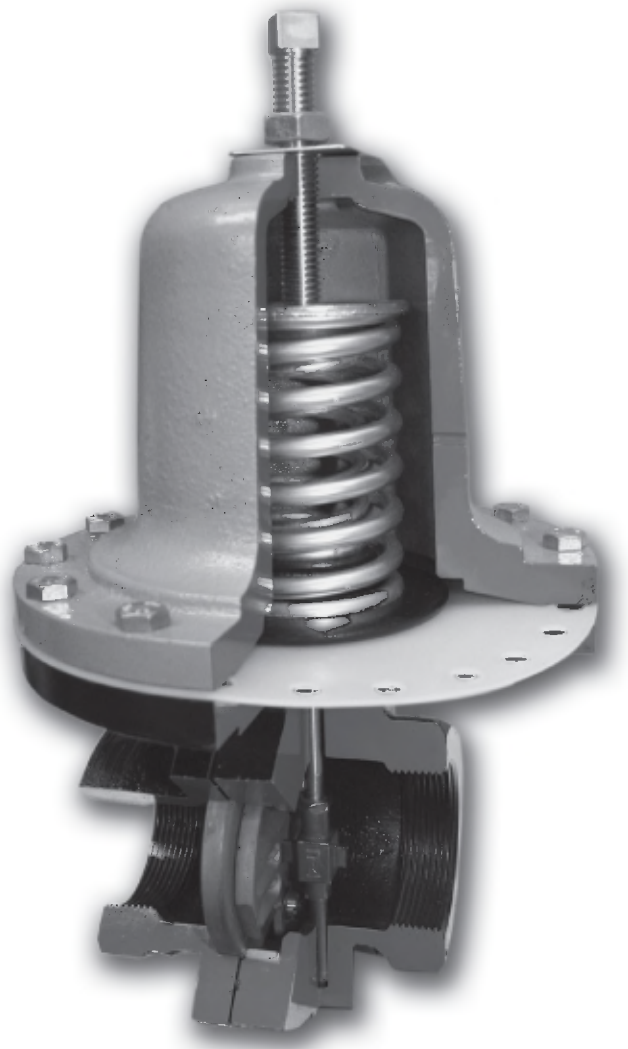
Size DN	Flange PN	A1 <sup>1</sup>		B		C	D	Weight (kg)	
		DI/BRZ	CS/SS	DI/BRZ	CS/SS			All	All
15 & 20	10/16	244,4	244,4	260,4	260,4	57,2	180,9	11,8	11,8
	25/40	260,4	260,4	260,4	260,4	57,2	180,9	13,2	13,2

Note: 1/4" & 3/8" utilize 1/2" body with reducer bushings

1 Not per DIN3202

### ***The Jorlon Diaphragm - Revolutionary Diaphragm Sets New Standard***

- Easily retrofitted - Jorlon can be easily retrofitted in the field with no additional parts. For regulators purchased after the fall of 1995 only the diaphragm needs to be changed to retrofit either SST or elastomer diaphragms.
- Chemical Compatibility — Jorlon is PTFE based, so it is compatible with most media except fluorinated gases and halogenated fluorocarbons. Whether the application is steam, process gases or fluids, Jorlon should be your first choice.
- Improved Build-up Performance — A metal diaphragm is much more rigid than an elastomer diaphragm. As such, metal diaphragms have decreased sensitivity thereby diminishing performance and accuracy in a self operated regulator. Jorlon will improve droop performance when used instead of a SST diaphragm as its properties are more similar to those of elastomer materials.
- Less Expensive — Jorlon is less expensive than many other diaphragm materials, further increasing its customer value.
- Fast Delivery — Rely on our 36 hour delivery with Jorlon as the diaphragm material.
- Extremely Long Life — Under 300 psi air, Jorlon surpasses 1,000,000 full stroke cycles without failure. The harshest test was on 450°F saturated steam, where Jorlon exceeded the cycle count for stainless steel by over 150 times - the test was stopped and the Jorlon diaphragm had yet to fail.
- Lower Cost of Ownership — Less droop provides more accuracy improving efficiency and productivity. Extremely long life results in more production up-time, fewer spare parts expenses and less repair labor.



01895 200015

[sales@tamo.co.uk](mailto:sales@tamo.co.uk)

MK50 SELF-OPERATED BACK PRESSURE REGULATORS

ORDERING SCHEMATIC

1	-	2	-	3	/	4	5	6	7	8	9	10
---	---	---	---	---	---	---	---	---	---	---	---	----

1	Model	
	50	Standard
	50HP	High Pressure
	50QC	Quick Change
	51	Large Diaphragm

2	Size		
		Inches	DN
	025	1/4"	DN8
	038	3/8"	DN10
	050	1/2"	DN15
	075	3/4"	DN20
	100	1"	DN25
	125	1-1/4"	DN32
	150	1-1/2"	DN40
	200	2"	DN50
	250	2-1/2" (MK50/50HP only)	DN65
	300	3" (MK50/50HP only)	DN80
	400	4" (MK50/50HP only)	DN100

MK51 available in 1/4" through 3/4" only

3	Body Material	
	DI	Ductile Iron
	BR	Bronze (1/4" - 2")
	CS	Carbon Steel
	S6	Stainless Steel
	CI	Cast Iron (2-1/2" - 4")

4	End Connections	
	1-4" - 2" MK50/51	
	PT	NPT
	BT	BSPT
	BP	BSPP
	SW	FSW
	I5	150# IFE
	F5	150# FE (Except IFE)
	I3	300# IFE
	F3	300# FE (Except IFE)
	2-1/2" - 4" MK50	
	I1	125# IFE
	I5	150# IFE
	I2	250# IFE
	I3	300# IFE
	I7	PN 10 DIN IFE (CS/S6) DN15-150
	I6	PN 16 DIN IFE (CS/S6) DN15-150
	I8	PN 25 DIN IFE (CS/S6) DN15-150
	I4	PN 40 DIN IFE (CS/S6) DN15-150

5	Trim	
	S3	303SS
	S6	316SS
	I3	303SSF/IFE (1" - 2")
	I6	316SSF/IFE (1" - 2")

6	Seat Material	
	A	303SST (1/4" - 2")
	B	316SST (1/4" - 2")
	V	303SS/Jorcote
	W	316SS/Jorcote
	X	303SS/JOR/JIC
	Y	316SS/JOR/JIC

7	Cv (Kv)			
	1	0.21 (0,28)	9	15 (12,93)
	2	0.42 (0,36)	A	25 (21,55)
	3	0.84 (0,72)	B	30 (25,86)
	4	1.6 (1,38)	D*	55 (47,41)
	5	2.5 (2,16)	F*	85 (73,28)
	6	4.4 (3,79)	G*	115 (99,14)
	7	6.4 (5,52)	I*	200 (172,41)
	8	9.5 (8,19)	* 2-12" - 4" only	

8	MK50/50QC Spring Range PSI (BAR)					
	1/4" - 3/4"		1" - 2"		2-1/2" - 4"	
	14	2-20 (0,14-1,38)	03	1/2-4 (0,03-0,28)	22	4-15 (0,28-1,3)
	34	10-30 (0,69-2,07)	06	2-6 (0,14-0,41)	30	7-24 (0,48-1,65)
	53	20-45 (1,38-3,10)	21	4-13 (0,28-0,90)	52	16-30 (1,10-2,07)
	76	30-135 (2,07-9,31)	31	8-20 (0,55-1,38)		
	A4	80-185 (5,52-12,76)	50	15-80 (1,3-5,52)		
			95	45-150 (3,10-10,34)		

8	Range (MK50HP)			
	1/2" - 2"		2-1/2" - 4"	
	A1	75-190 (5,17-13,10)	64	25-50 (1,72-3,45)
	A7	100-320 (6,89-22,06)	82	40-80 (2,76-5,52)
	A9	150-450 (10,34-31,02)		

8	MK51 Spring Range PSI (BAR)			
	04	1/2-5 (0,03-0,34)	62	20-70 (1,38-4,83)
	08	2-10 (0,14-0,69)	86	40-105 (2,76-7,24)
	14	2-20 (0,14-1,38)	69	25-150 (1,72-10,34)
	34	10-30 (0,69-2,07)	79	30-170 (2,07-11,72)
	54	20-50 (1,38-3,45)		

9	Diaphragm	
	S6	316 SST (1/4" - 2" only)
	VI	Viton
	BN	Buna-N (standard above 2"/DN50)
	JL	Jorton

10	Actuator	
	MD	for Metal Diaphragm (1/4" - 2" only)
	ED	for Elastomer Diaphragm

# Mark 501/502 Series

## High Flow Back Pressure Regulators

The Mark 501 and 502 meet higher capacity requirements than standard back pressure regulators. The High Flow Mark 501 has Cv's as high as 50 (43Kv) and the Super High Flow Mark 502 has Cv's up to 70 (60,2 Kv). Each valve is standard with Jordan's Sliding Gate Seats, which helps to reduce the build-up commonly associated with high flow back pressure regulators.

Jordan's unique self-operated sliding gate back pressure regulator offers:

- Shorter stroke than a globe or plug-style valve
  - Faster response
  - Smaller and lighter weight than globe-style valves
  - Less build-up
- Straight through -flow
  - Less turbulence, erosion and noise
  - Improved rangeability
  - Longer seat life
- Ease of maintenance
  - Interchangeable seats and Cv's
  - Fewer spare parts
  - Self-cleaning seats
  - No gaskets or o-rings



### Diaphragm Materials

- Stainless Steel — standard
- Buna-N — optional
- Jorlon — optional
- Viton — optional

**Service:** Steam, water, oil, gas, air and chemicals

**Shutoff:** ANSI Class IV

**Reduced Pressure Control Ranges:** Select a range to match your setpoint. For optimal performance, your setpoint should fall in the upper portion of the selected range.

## SPECIFICATIONS

**Sizes:** 1-1/2" & 2" (DN40 & DN50)

### End Connections

- Threaded (FNPT, BSPT, BSPP)
- ANSI Flanges (150#, 300#)
- DIN Flanges (PN10/16, PN25/40)

### Body Materials

- Ductile Iron
- Bronze
- Carbon Steel (A216 WCB)
- Stainless Steel (A351/CF8M)

### Trim Materials

- 303SST — Standard on Ductile Iron, Bronze, Carbon Steel valves
- 316SST — Standard on Stainless Steel Valves
- Monel, Hastelloy and other Alloys available

### Seat Materials

- Jorcote on SST — Standard
- Jorcote/Jordanic on SST — For Severe Service

Model	Size (DN)	Spring Ranges	
		PSI	BAR
501 & 502	1-1/2" - 2" (DN40 - DN50)	0.5 – 4	0,03 – 0,28
		2 – 6	0,14 – 0,41
		4 – 13	0,28 – 0,90
		8 – 20	0,55 – 1,38
		15 – 80	1,03 – 5,52
		45 – 150	3,10 – 10,34

### Cv Values & Maximum Differential Pressures

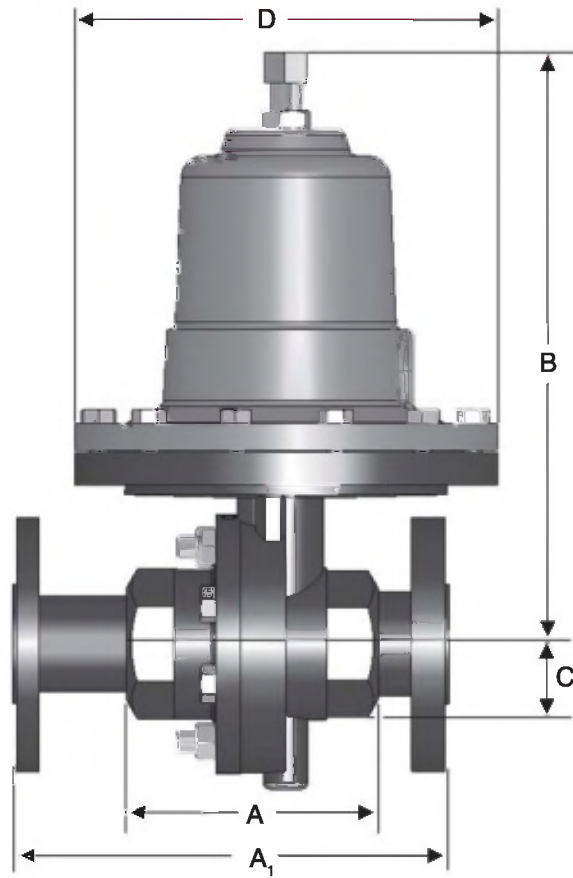
- Mark 501

Cv (Kv)	Size (DN)	Seat Material	Maximum ΔPSI (bar)
25 (21,5)	1-1/2" & 2" (DN40 & DN50)	Jorcote	150 (10,34)
30 (25,8)	1-1/2" & 2" (DN40 & DN50)	Jorcote	150 (10,34)
35 (30,1)	1-1/2" & 2" (DN40 & DN50)	Jorcote	150 (10,34)
45 (38,7)	1-1/2" (DN40)	Jorcote	150 (10,34)
50 (43,0)	2" (DN50)	Jorcote	150 (10,34)

- Mark 502

Cv (Kv)	Size (DN)	Seat Material	Maximum ΔPSI (bar)
65 (55,9)	1-1/2" (DN40)	Jorcote	150 (10,34)
70 (60,2)	2" (DN50)	Jorcote	150 (10,34)

**DIMENSIONS — MK501/502**



■ Mark 501/502: Threaded & FSW Ends

Size	Material	A	B	C	D	Weight (lbs)
1-1/2" - 2"	DI/BRZ	4.50	10.25	2.75	7.09	26
	CS/SS	5.50	11.00	2.75	7.09	35

■ Mark 501/502: Threaded & FSW Ends, Metric

Size	Material	A	B	C	D	Weight (kg)
DN40- DN50	DI/BRZ	114	260	70	180	11,8
	CS/SS	140	279	70	180	15,9

■ Mark 501/502: Flanged Ends

Size	ANSI Flange	A1		B		C	D	Weight (lbs)	
		DI/BRZ	CS/SS	DI/BRZ	CS/SS			All	All
1-1/2"	150#	10.00*	10.00*	10.25	11.22	2.31	7.09	42	46
	300#	10.25*	10.25*	10.25	11.22	2.31	7.09	45	52
2"	150#	10.00	10.00	10.25	11.42	2.75	7.09	46	50
	300#	10.50	10.50	10.25	11.42	2.75	7.09	49	55

- Not IFE
- Not ANSI Standard

■ Mark 501/502: Flanged Ends, Metric

Size	Flange PN	A1		B		C	D	Weight (kg)	
		DI/BRZ	CS/SS	DI/BRZ	CS/SS			All	All
DN40	10/16	254	254	279	285	58,7	180	19,1	20,9
	25/40	260	260	279	285	58,7	180	20,4	23,6
DN50	10/16	254	230	279	290	69,9	180	20,9	22,7
	25/40	267	230	279	290	69,9	180	22,2	24,9

- Not IFE
- Not per DIN3202

## ORDER SCHEMATIC

1	—	2	—	3	/	4	5	6	7	8	9	10	11	12

1	Model	
	501	High Flow
	502	Super High Flow

2	Size		
		Inches	DN
	150	1-1/2"	DN40
	200	2"	DN50

3	Body Material	
	DI	Ductile Iron
	BR	Bronze
	CS	Carbon Steel
	S6	Stainless Steel

4	End Connections	
	PT	NPT
	BT	BSPT
	I5	150# IFE CS or SST*
	F5	150# FE DI or BR
	I7	PN10 IFE, CS or SST*
	F7	PN10 FE DI or BR
	I6	PN16 IFE, CS or SST*
	F6	PN16 FE DI or BR
	BP	BSPP
	SW	FSW
	I3	300# IFE, CS or SST*
	F3	300# FE DI or BR
	I8	PN25 IFE, CS or SST*
	F8	PN25 FE DI or BR
	I4	PN40 IFE, CS or SST*
	F4	PN40 FE DI or BR

\* IFE (integral flanged end) for 2" only  
FE is threaded or weld flanges

5	Trim	
	S3	303SS
	S6	316SS
	I3	303SSF/IFE
	I6	316SSF/IFE

6	Seat Material	
	V	303SS/Jorcote
	W	316SS/Jorcote
	X	303SS/JOR/JIC
	Y	316SS/JOR/JIC

7	CV (Kv)	
	A	25 (22)
	B	30 (26)
	V	35 (30)
	W	45 (39)
	C	50 (43)
	Y	65 (56)
	E	70 (60)

8	Range	
	03	0.5 – 4 (0,03 – 0,28)
	06	2 – 6 (0,14 – 0,41)
	21	4 – 13 (0,28 – 0,90)
	31	8 – 20 (0,55 – 1,38)
	50	15 – 80 (1,03 – 5,52)
	95	45 – 150 (3,10 – 10,34)

9	Diaphragm	
	S6	316 SST
	VI	Viton
	BN	Buna-N
	JL	Jorlon

10	Actuator	
	MD	for Metal Diaphragm
	ED	for Elastomer Diaphragm

11	Double Bolting	
	00	None
	ZZ	Non-Standard

12	Accessories	
	0	None
	6	316 SS Bolting
	7	Hi-temperature bolting
	Z	Non-standard