



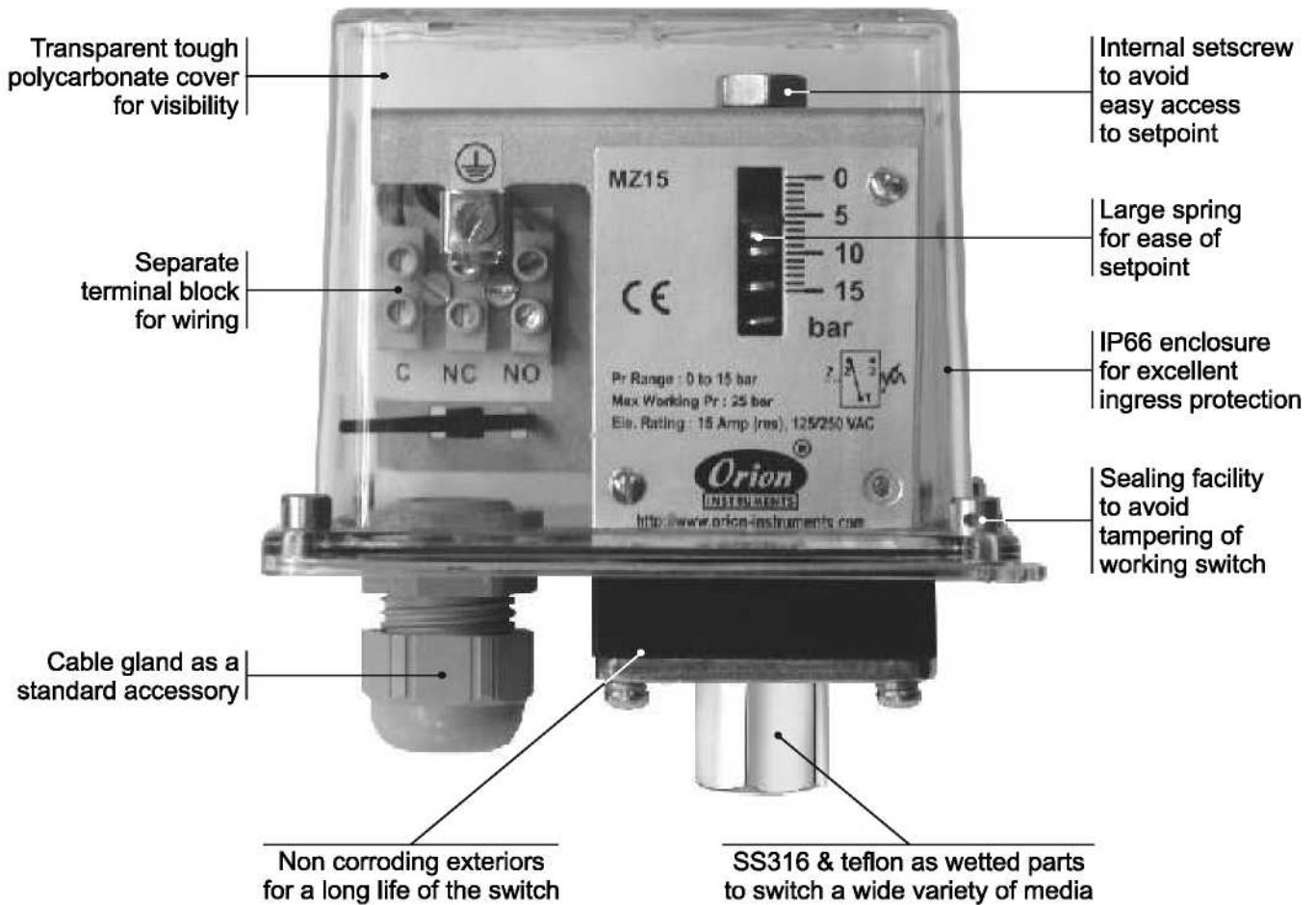
22 Sarum Complex,  
Salisbury Road,  
Uxbridge,  
Middlesex  
UB8 2RZ



VALVES, SWITCHES, INSTRUMENTATION  
AND SYSTEMS FOR  
PRESSURE, FLOW AND  
TEMPERATURE APPLICATIONS

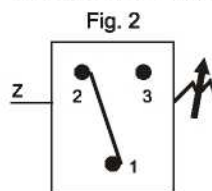
Tel: 01895 200015 Fax: 01895 252205  
E-Mail: info@tamo.co.uk Website: www.tamo.co.uk

# MZ HIGH RANGE PRESSURE SWITCHES



Approximate Weight : 0.550 Kg.

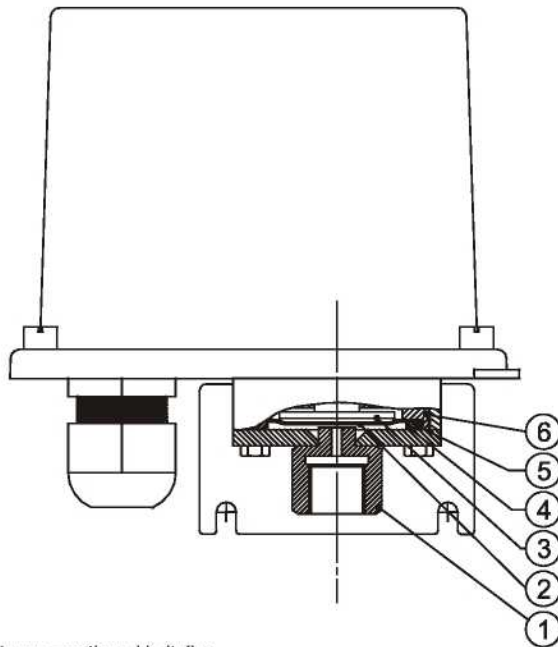
### Electrical Connection :



# HIGH RANGE PRESSURE SWITCHES MZ



## PRESSURE CAPSULE DETAILS

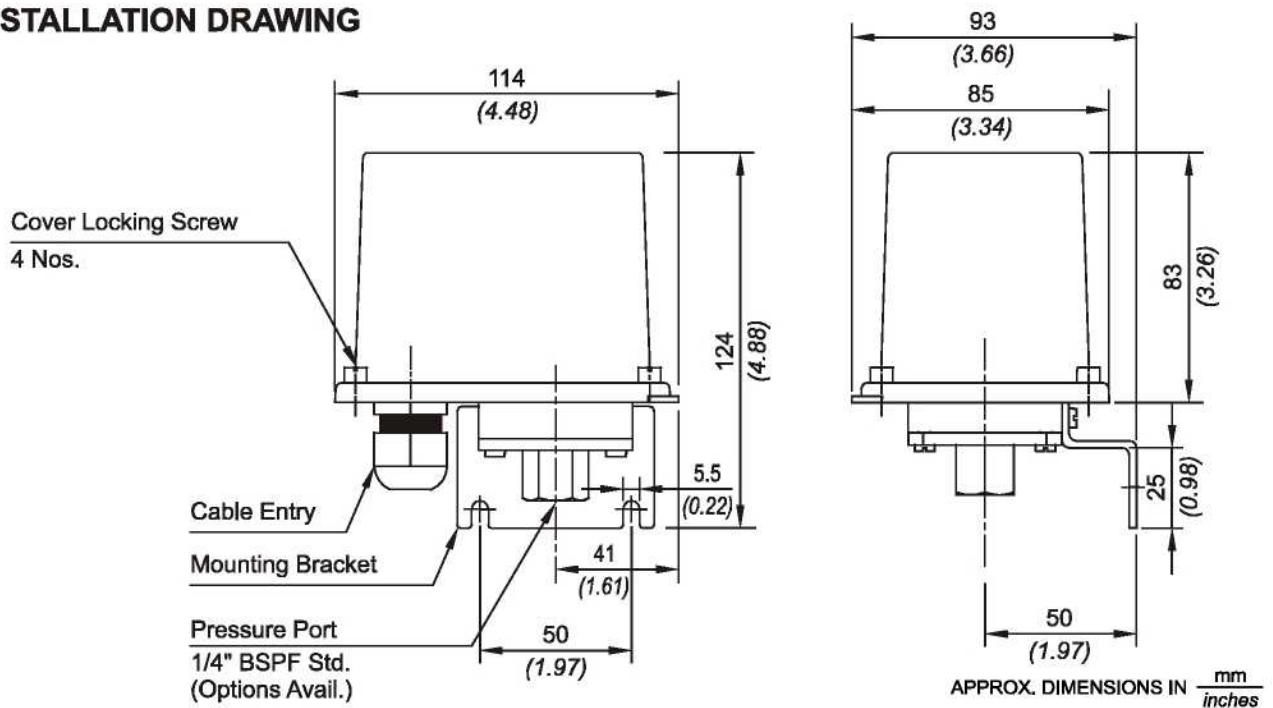


### No. Description

1. Pressure Housing (SS316)
2. Diaphragm (Teflon®)
3. Plunger
4. Steel Ring (SS316)
5. O-Ring (Teflon®)
6. Disc

Note : *wetted parts* are mentioned in italics.

## INSTALLATION DRAWING



# MZ HIGH RANGE PRESSURE SWITCHES

## RANGE SELECTION TABLE

Range Code	Range bar (psi)	Differential* bar (psi)	Maximum Working Pressure bar (psi)
		Approximate Maximum for "A8" microswitch	
LP†	0.067 - 0.213 (0.97 - 3.09)	0.05 (0.71)	5 (71.43)
LP5	0.1 - 0.5 (1.45 - 7.25)	0.10 (1.43)	5 (71.43)
H01	0.1 - 1.0 (1.45 - 14.50)	0.10 (1.43)	12 (171.43)
H02	0.1 - 1.5 (1.45 - 21.76)	0.20 (2.86)	12 (171.43)
H03	0.2 - 2.6 (2.90 - 37.71)	0.20 (2.86)	12 (171.43)
H04	0.2 - 3.6 (2.90 - 52.21)	0.20 (2.86)	12 (171.43)
H07	0.5 - 7.0 (7.25 - 101.50)	0.40 (5.72)	12 (171.43)
H10	0.5 - 10.0 (7.14 - 142.86)	0.60 (8.58)	25 (357.14)
H15	1.0 - 15.0 (14.29 - 214.29)	0.60 (8.58)	25 (357.14)
H30	5.0 - 25.0 (71.43 - 357.14)	0.80 (11.44)	35 (500.00)

\*Minimum differential increases with setpoint (Graphs available on request), results for neoprene diaphragm.

†Range not available in SS316 L diaphragm.

## HOW TO ORDER PROCESS HIGH RANGE PRESSURE SWITCHES

Group 1	Group 2	Group 3	Group 4	Group 5	Group 6	Group 7	Group 8
Non standard allocation	Gas Group Classification	Cable Entry Size and Material of Enclosure	Switch Type	Range Code (values in bar)	Microswitch Type	Pressure Port Size	Diaphragm
<input type="checkbox"/> Reserved for non-standard options not covered in catalogue. Will be given by manufacturer, only after agreement of supply details with customer.	<b>MZ</b> = Process pressure switch with tough transparent polycarbonate enclosure to IP66 as per IS2147	<b>3</b> = M20 X 1.5 cable gland	<b>PF2</b> = pressure switch, fixed differential with scale <b>PA2*</b> = pressure switch, adjustable differential with scale  * Not available with option A7 in Group 6	<b>LP</b> = (0.067 - 0.213) <b>LP5</b> = (0.1 - 0.5) <b>H01</b> = (0.1 - 1.0) <b>H02</b> = (0.1 - 1.5) <b>H03</b> = (0.2 - 2.6) <b>H04</b> = (0.2 - 3.6) <b>H07</b> = (0.5 - 7.0) <b>H10</b> = (0.5 - 10.0) <b>H15</b> = (1.0 - 15.0) <b>H30</b> = (5.0 - 25.0)	<b>A8</b> = General purpose microswitch rated at 5 A; 250 VAC <b>A7</b> = 2SPDT microswitches	<b>S1</b> = SS316 pr. Housing with 1/4" BSPF pressure port <b>S2</b> = SS316 pressure housing with 1/4" NPT(F) pressure port.	<b>0</b> = Neoprene <b>1</b> = Teflon <b>2</b> = SS 316L

eg. A process pressure switch with fixed differential having 0.1 bar to 1 bar pressure range, with 5 Amp. microswitch, SS316 pressure housing with 1/4" BSP port size & neoprene diaphragm shall be specified by

Group 1	Group 2	Group 3	Group 4	Group 5	Group 6	Group 7	Group 8
<input type="checkbox"/>	MZ	3	PF2	H01	A8	S1	0

Please specify full model number to avoid ambiguity.





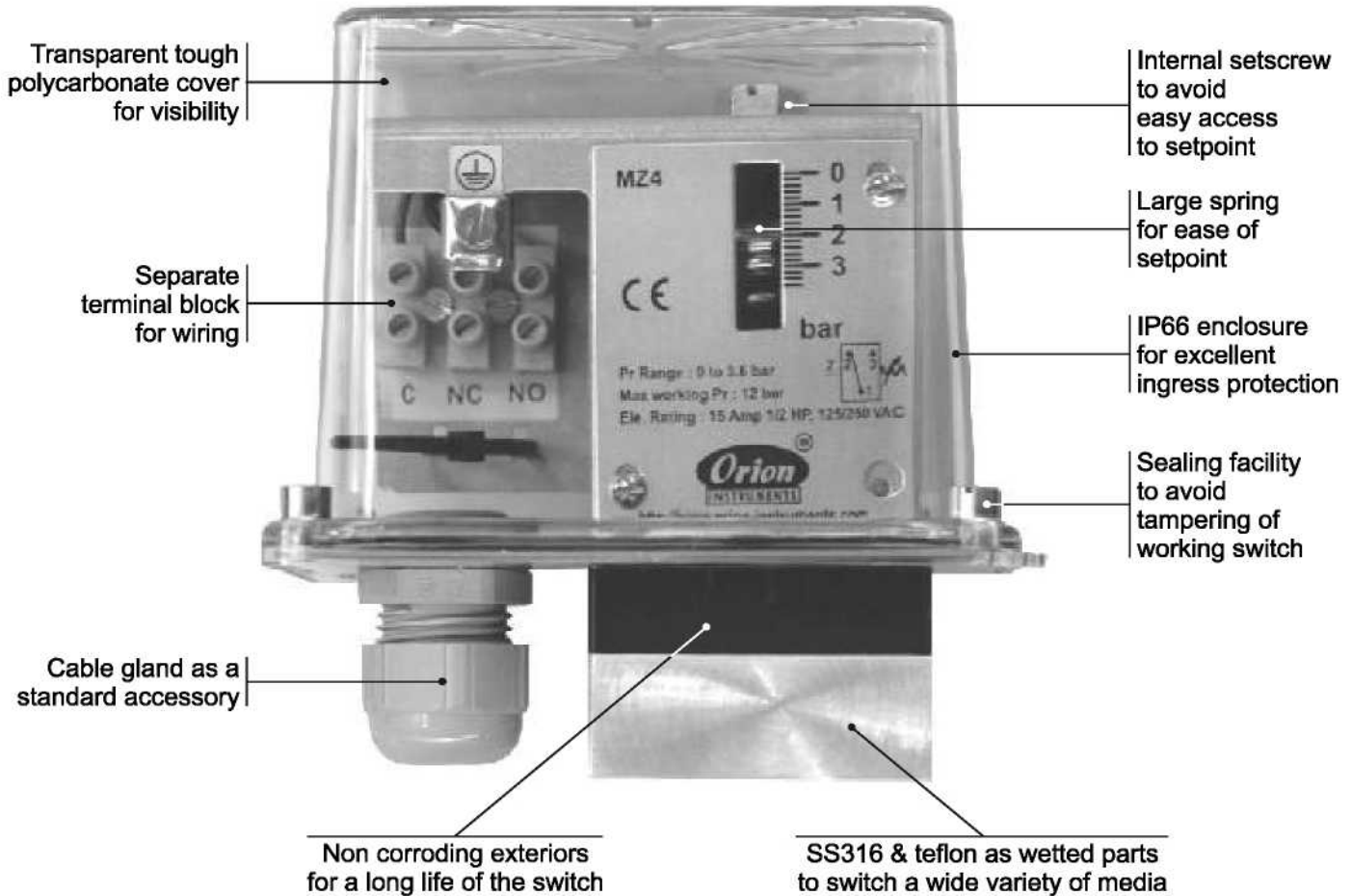
22 Sarum Complex,  
Salisbury Road,  
Uxbridge,  
Middlesex  
UB8 2RZ



VALVES, SWITCHES, INSTRUMENTATION  
AND SYSTEMS FOR  
PRESSURE, FLOW AND  
TEMPERATURE APPLICATIONS

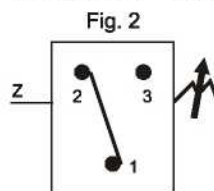
Tel: 01895 200015 Fax: 01895 252205  
E-Mail: info@tamo.co.uk Website: www.tamo.co.uk

# MZ HIGH PROOF HIGH RANGE PRESSURE SWITCHES



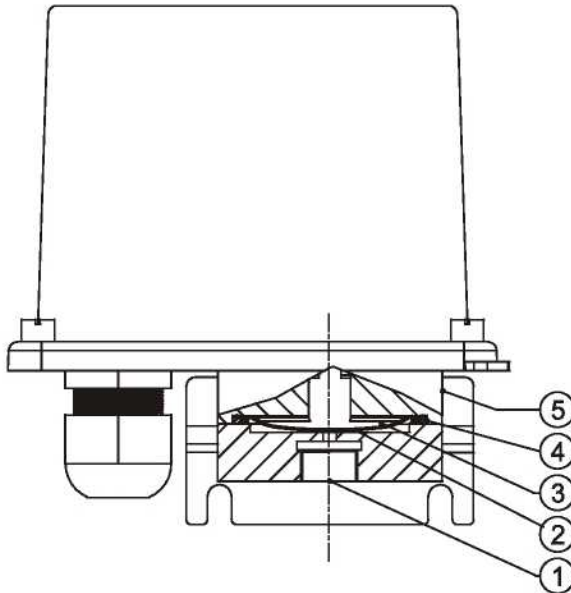
Approximate Weight : 0.900 Kg.

### Electrical Connection :





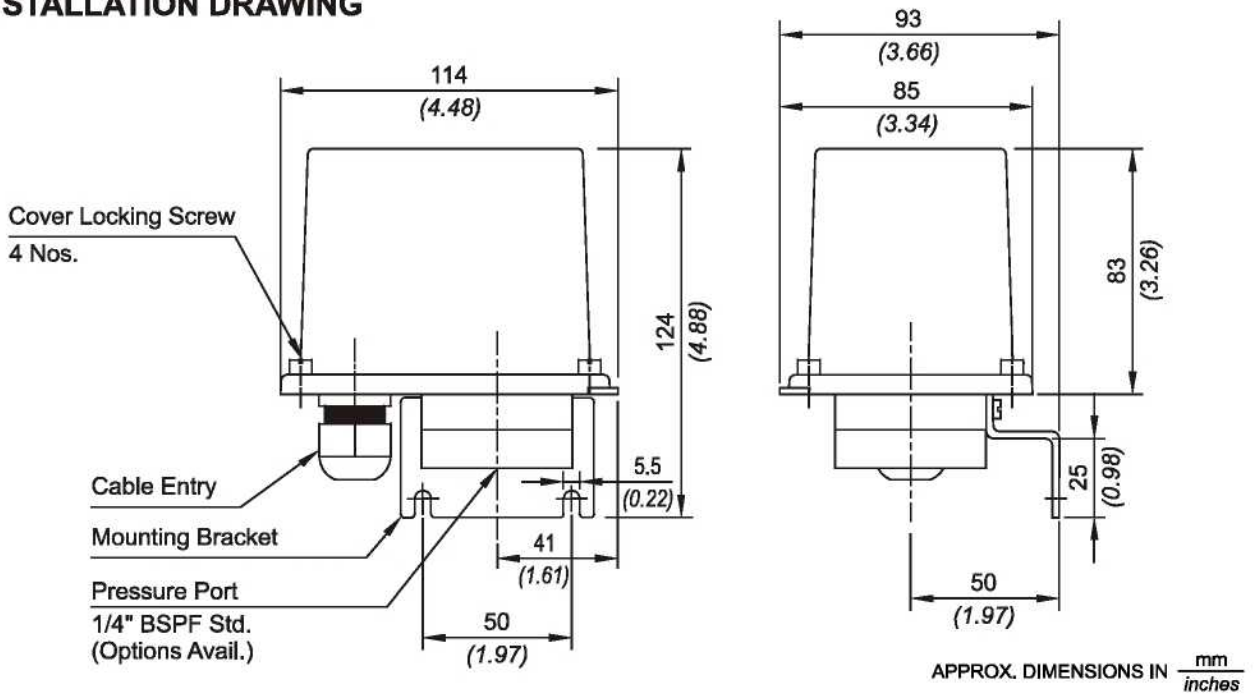
## PRESSURE CAPSULE DETAILS



- No. Description**
1. Pressure Housing
  2. Diaphragm
  3. Plunger
  4. O-Ring
  5. Disc

Note : *wetted parts* are mentioned in italics.

## INSTALLATION DRAWING



**RANGE SELECTION TABLE**

Range Code	Range bar (psi)	Differential* bar (psi)	Maximum Working Pressure bar (psi)
		Approximate Maximum for "A8" microswitch	
LP5	0.1 - 0.5 (1.45 - 7.25)	0.20 (2.86)	70 (1000.00)
P01	0.1 - 1.0 (1.45 - 14.50)	0.20 (2.86)	70 (1000.00)
P02	0.1 - 1.5 (1.45 - 21.76)	0.40 (5.72)	70 (1000.00)
P03	0.2 - 2.6 (2.90 - 37.71)	0.40 (5.72)	70 (1000.00)
P04	0.2 - 3.6 (2.90 - 52.21)	0.50 (7.14)	70 (1000.00)
P07	0.5 - 7.0 (7.14 - 100.00)	1.00 (14.29)	70 (1000.00)
P10	0.5 - 10.0 (7.14 - 142.86)	1.00 (14.29)	70 (1000.00)
P15	1.0 - 15.0 (14.29 - 214.29)	1.5 (21.43)	70 (1000.00)
P30	5.0 - 25.0 (71.43 - 357.14)	1.5 (21.43)	70 (1000.00)

\*Minimum differential increases with setpoint (Graphs available on request), results for neoprene diaphragm.

# HIGH PROOF HIGH RANGE PRESSURE SWITCHES

# MZ

## HOW TO ORDER PROCESS HIGH PROOF HIGH RANGE PRESSURE SWITCHES

Group 1	Group 2	Group 3	Group 4	Group 5	Group 6	Group 7	Group 8
Non standard allocation  <input type="checkbox"/> Reserved for non-standard options not covered in catalogue. Will be given by manufacturer, only after agreement of supply details with customer.	<b>MZ</b> = Process pressure switch with tough transparent polycarbonate enclosure to IP66 as per IS2147	<b>3</b> = M20 X 1.5 threads for aluminum housing	<b>PF2</b> = pressure switch, fixed differential with scale <b>PA2*</b> = pressure switch, adjustable differential with scale  * Not available with option A7 in Group 6	<b>PP</b> = (0.067 - 0.213) <b>PP5</b> = (0.1 - 0.5) <b>P01</b> = (0.1 - 1.0) <b>P02</b> = (0.1 - 1.5) <b>P03</b> = (0.2 - 2.6) <b>P04</b> = (0.2 - 3.6) <b>P07</b> = (0.5 - 7.0) <b>P10</b> = (0.5 - 10.0) <b>P15</b> = (1.0 - 15.0) <b>P30</b> = (5.0 - 25.0)	<b>A8</b> = General purpose microswitch rated at 5 A; 250 VAC <b>A7</b> = 2SPDT microswitches	<b>S1</b> = SS316 pr. Housing with 1/4" BSPF pressure port <b>S2</b> = SS316 pressure housing with 1/4" NPT(F) pressure port.	<b>0</b> = Neoprene <b>1</b> = Teflon <b>2</b> = SS 316L

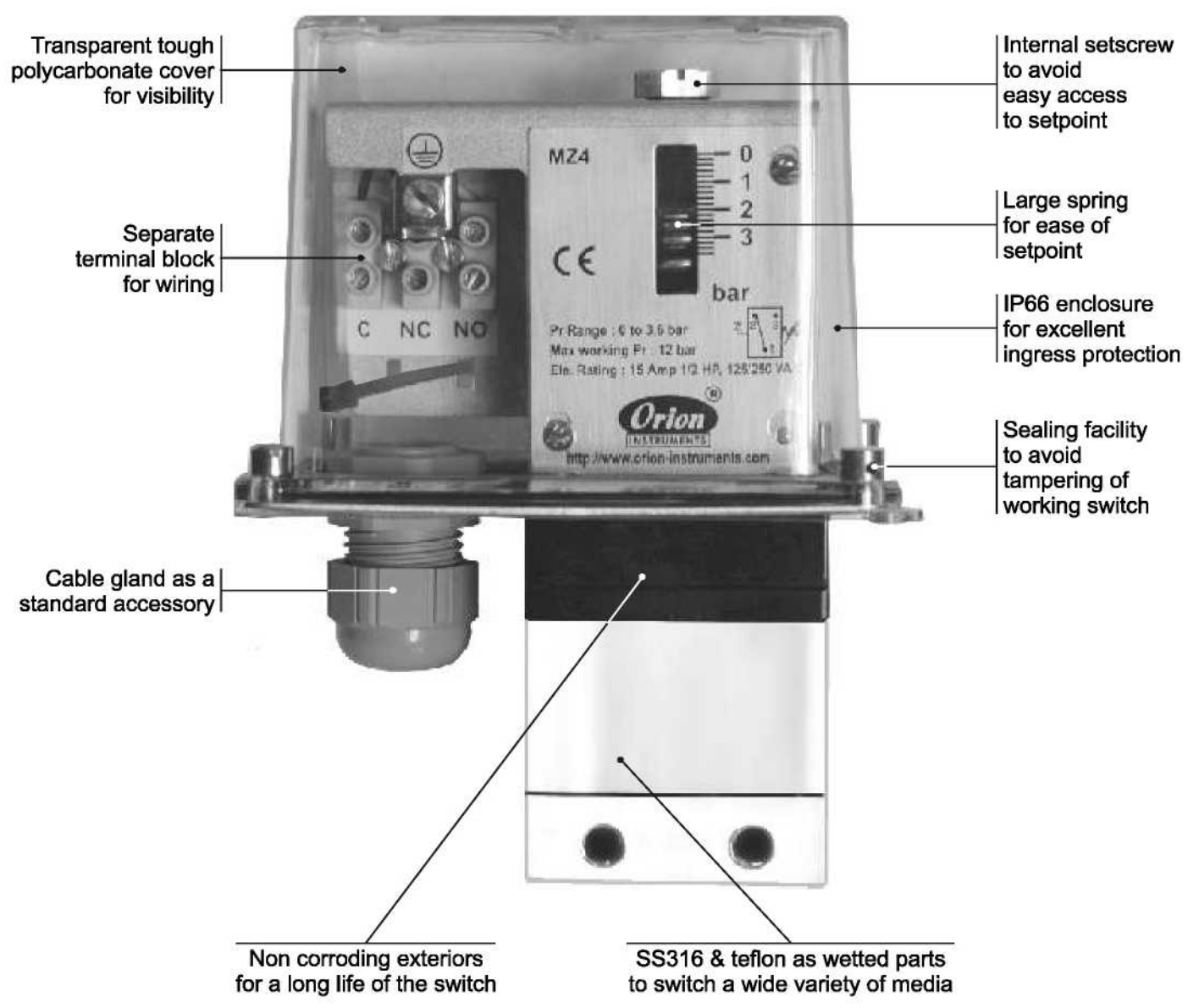
eg. A process pressure switch with fixed differential having 0.1 bar to 1 bar pressure range, with 5 Amp. microswitch, SS316 pressure housing with 1/4" BSP port size & neoprene diaphragm shall be specified by

Group 1	Group 2	Group 3	Group 4	Group 5	Group 6	Group 7	Group 8
<input type="checkbox"/>	MZ	3	PF2	P01	A8	S1	0

Please specify full model number to avoid ambiguity.

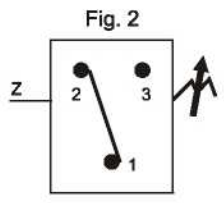


# MZ HIGH RANGE PRESSURE DIFFERENCE SWITCHES



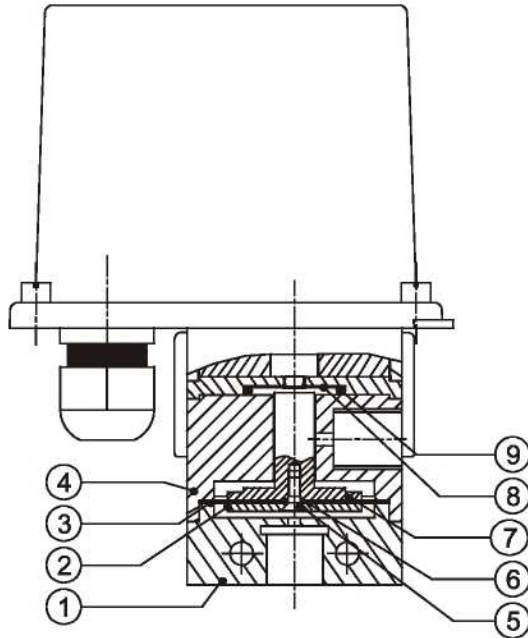
**Approximate Weight : 1.400 Kg.**

**Electrical Connection :**





## PRESSURE CAPSULE DETAILS

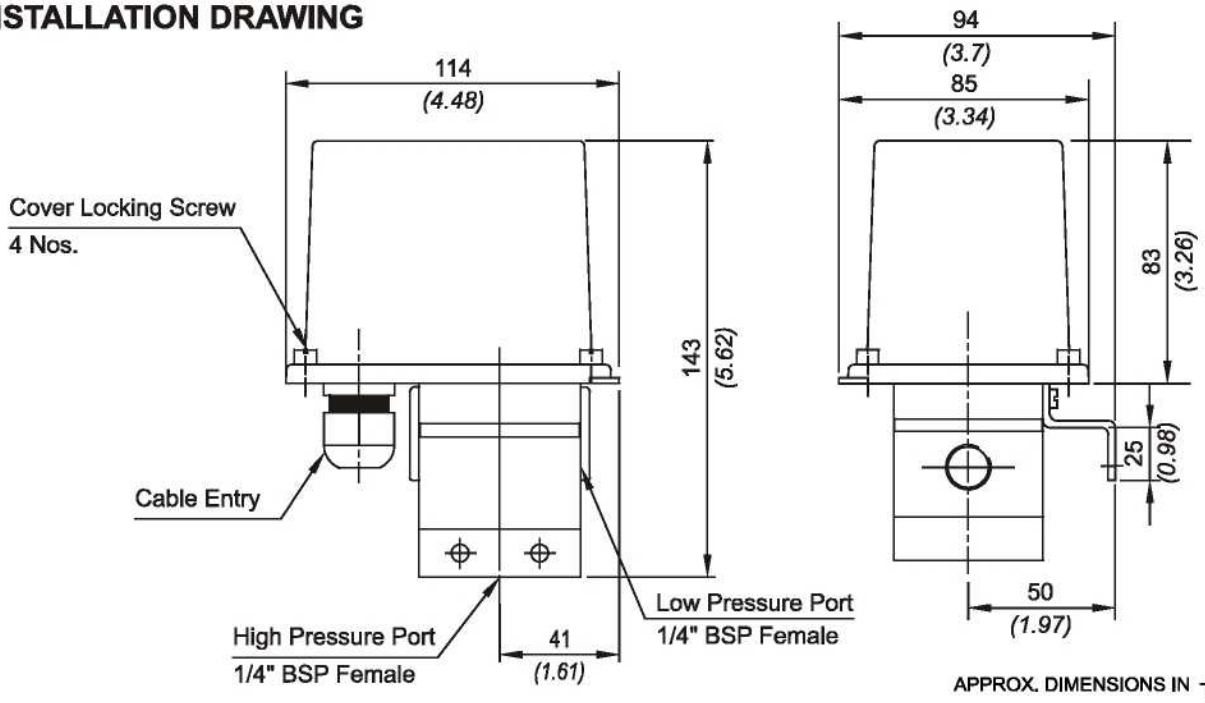


### No. Description

1. Pressure Housing
2. HP Plunger (SS316)
3. Diaphragm
4. Disc
5. CSK Screw (SS)
6. 'O' ring (Teflon)
7. LP Plunger (SS316)
8. Sealing Diaphragm (Teflon)
9. Sealing O-Ring (Teflon)

Note : *wetted parts* are mentioned in italics.

## INSTALLATION DRAWING



APPROX. DIMENSIONS IN  $\frac{\text{mm}}{\text{inches}}$

# MZ HIGH RANGE PRESSURE DIFFERENCE SWITCHES

## RANGE SELECTION TABLE

Range Code	Range bar ( <i>psi</i> )	Differential* bar ( <i>psi</i> )	Maximum Working Pressure bar ( <i>psi</i> )
		Approximate Maximum for "A8" microswitch	
H01	0.1 - 1.0 (1.43 - 14.29)	0.12 (0.30)	12 (171.43)
H02	0.1 - 1.5 (1.43 - 21.43)	0.20 (1.14)	12 (171.43)
H03	0.2 - 2.6 (2.86 - 37.14)	0.20 (1.14)	12 (171.43)
H04	0.2 - 3.6 (2.86 - 51.43)	0.30 (1.43)	12 (171.43)

\*Minimum differential increases with setpoint (Graphs available on request)

## HOW TO ORDER PROCESS HIGH RANGE PRESSURE DIFFERENCE SWITCHES

Group 1	Group 2	Group 3	Group 4	Group 5	Group 6	Group 7	Group 8
Non standard allocation	Gas Group Classification	Cable Entry Size and Material of Enclosure	Switch Type	Range Code (values in bar)	Microswitch Type	Pressure Port Size	Diaphragm
<input type="checkbox"/> Reserved for non-standard options not covered in catalogue. Will be given by manufacturer, only after agreement of supply details with customer.	<b>MZ</b> = Process pressure switch with tough transparent polycarbonate enclosure to IP66 as per IS2147	<b>3</b> = M20 X 1.5 cable gland	<b>DF2</b> = pressure switch, fixed differential with scale <b>DA2*</b> = pressure switch, adjustable differential with scale  * Not available with option A7 in Group 6	<b>H01</b> = (0.1 - 1.0) <b>H02</b> = (0.1 - 1.5) <b>H03</b> = (0.2 - 2.6) <b>H04</b> = (0.2 - 3.6)	<b>A8</b> = General purpose microswitch rated at 5 A; 250 VAC <b>A7</b> = 2SPDT microswitches	<b>A1</b> = Aluminium pressure housing with 1/4" BSPF pressure port <b>A2</b> = Aluminium pressure housing with 1/4" NPT(F) pressure port <b>S1</b> = SS316 pr. Housing with 1/4" BSPF pressure port <b>S2</b> = SS316 pressure housing with 1/4" NPT(F) pressure port	<b>0</b> = Neoprene <b>1</b> = Teflon

eg. A process pressure difference switch with fixed differential having 0.1 bar to 1 bar pressure range, with 5 Amp. microswitch, SS316 pressure housing with 1/4" BSP port size & neoprene diaphragm shall be specified by

Group 1	Group 2	Group 3	Group 4	Group 5	Group 6	Group 7	Group 8
<input type="checkbox"/>	MZ	3	DF2	H01	A8	S1	0

Please specify full model number to avoid ambiguity.





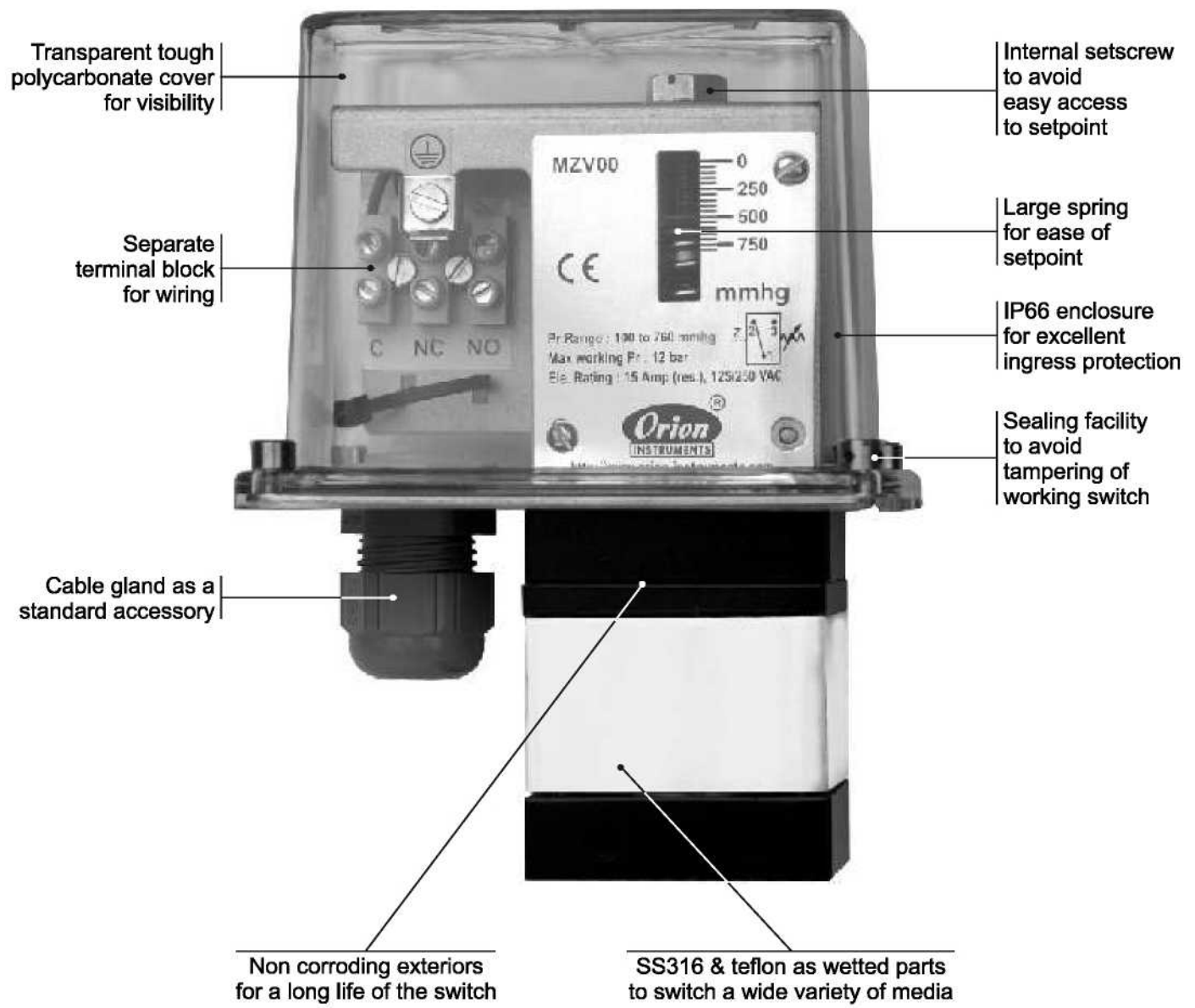
22 Sarum Complex,  
Salisbury Road,  
Uxbridge,  
Middlesex  
UB8 2RZ



VALVES, SWITCHES, INSTRUMENTATION  
AND SYSTEMS FOR  
PRESSURE, FLOW AND  
TEMPERATURE APPLICATIONS

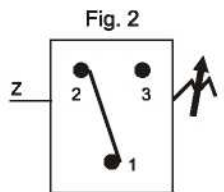
Tel: 01895 200015 Fax: 01895 252205  
E-Mail: info@tamo.co.uk Website: www.tamo.co.uk

# MZ VACUUM SWITCHES



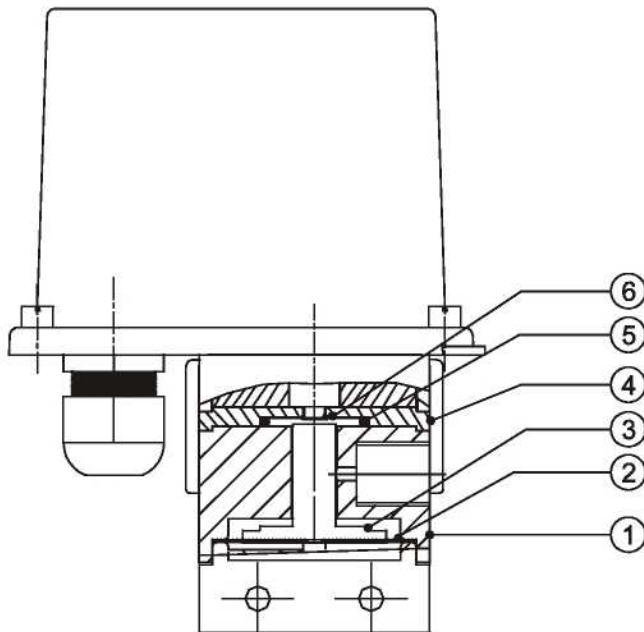
Approximate Weight : 1.160 Kg.

**Electrical Connection :**





## PRESSURE CAPSULE DETAILS

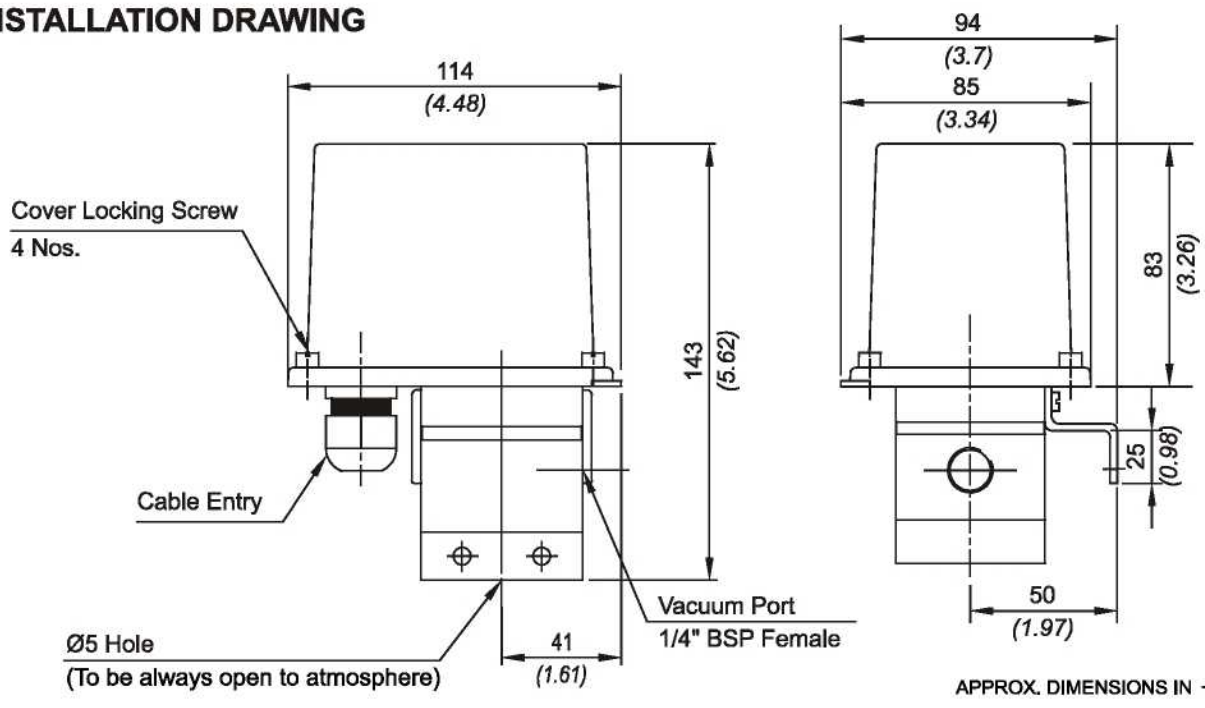


### No. Description

1. Disc
2. Diaphragm
3. Plunger (SS316)
4. Junction Plate
5. Sealing 'O' Ring (Teflon®)
6. Sealing diaphragms (Teflon®)

Note : *wetted parts* are mentioned in italics.

## INSTALLATION DRAWING



# MZ VACUUM SWITCHES

## RANGE SELECTION TABLE

Range Code	Range mm Hg ( <i>"Hg</i> )	Differential* mm Hg ( <i>"Hg</i> )	Maximum Working Pressure bar ( <i>psi</i> )
		Approximate Maximum for "A8" microswitch	
V00	† 760 - 100 (29.92 - 3.94)	50 (1.97)	12 (171.43)

\*Minimum differential increases with setpoint (Graphs available on request)

† Typical values achieved at sea level, total vacuum that can be achieved varies mainly with altitude.

## HOW TO ORDER PROCESS VACUUM SWITCHES

Group 1	Group 2	Group 3	Group 4	Group 5	Group 6	Group 7	Group 8
Non standard allocation	Gas Group Classification	Cable Entry Size and Material of Enclosure	Switch Type	Range Code (values in bar)	Microswitch Type	Pressure Port Size	Diaphragm
<input type="checkbox"/> Reserved for non-standard options not covered in catalogue. Will be given by manufacturer, only after agreement of supply details with customer.	<b>MZ</b> = Process pressure switch with tough transparent polycarbonate enclosure to IP66 as per IS2147	<b>3</b> = M20 X 1.5 cable gland	<b>VF2</b> = vacuum switch, fixed differential with scale <b>VA2*</b> = vacuum switch, adjustable differential with scale  * Not available with option A7 in Group 6	<b>V00</b> = († 760 - 100)	<b>A8</b> = General purpose microswitch rated at 5 A; 250 VAC <b>A7</b> = 2SPDT microswitches	<b>A1</b> = Aluminium pressure housing with 1/4" BSPF pressure port <b>A2</b> = Aluminium pressure housing with 1/4" NPT(F) pressure port. <b>S1</b> = SS316 pr. Housing with 1/4" BSPF pressure port <b>S2</b> = SS316 pressure housing with 1/4" NPT pressure port.	<b>0</b> = Neoprene <b>1</b> = Teflon
<input type="checkbox"/>	<b>MZ</b>	<b>3</b>	<b>VF2</b>	<b>V00</b>	<b>A8</b>	<b>S1</b>	<b>0</b>

eg. A process vacuum switch with fixed differential having 760 mmHg vac to 100 mmHg vac vacuum range, with 5 Amp. microswitch, SS316 pressure housing with 1/4" BSPF port size & neoprene diaphragm shall be specified by

Please specify full model number to avoid ambiguity.





22 Sarum Complex,  
Salisbury Road,  
Uxbridge,  
Middlesex  
UB8 2RZ

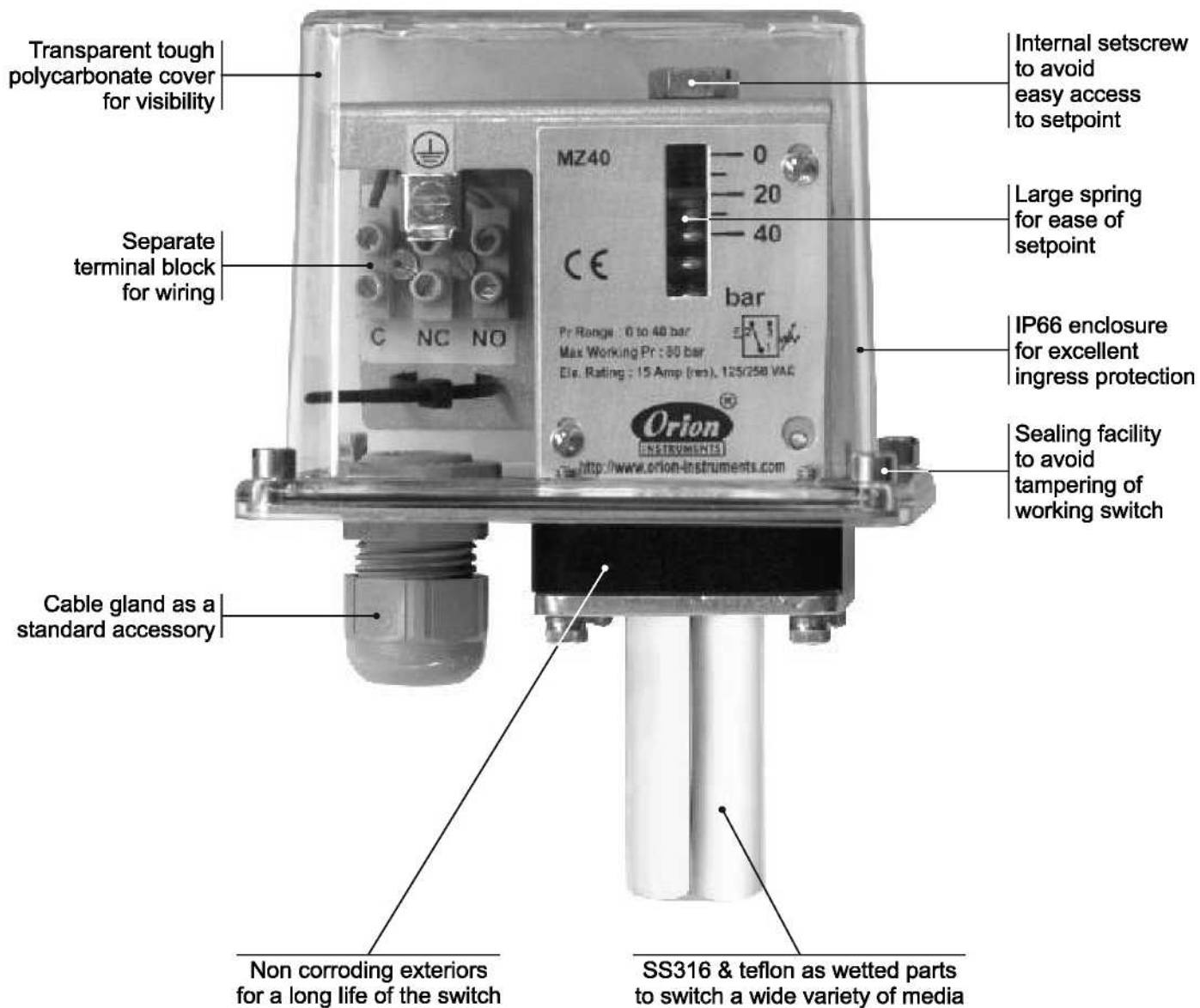
ISO9001 & RS00299



VALVES, SWITCHES, INSTRUMENTATION  
AND SYSTEMS FOR  
PRESSURE, FLOW AND  
TEMPERATURE APPLICATIONS

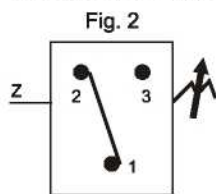
Tel: 01895 200015 Fax: 01895 252205  
E-Mail: info@tamo.co.uk Website: www.tamo.co.uk

# MZ HYDRAULIC RANGE PRESSURE SWITCHES



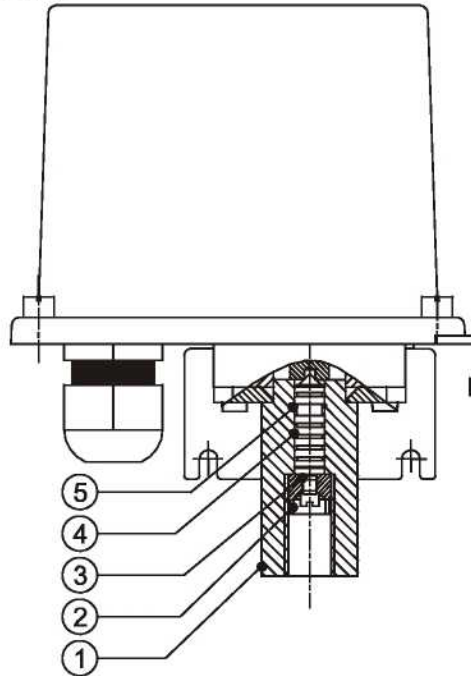
Approximate Weight : 0.680 Kg.

### Electrical Connection :





## PRESSURE CAPSULE DETAILS

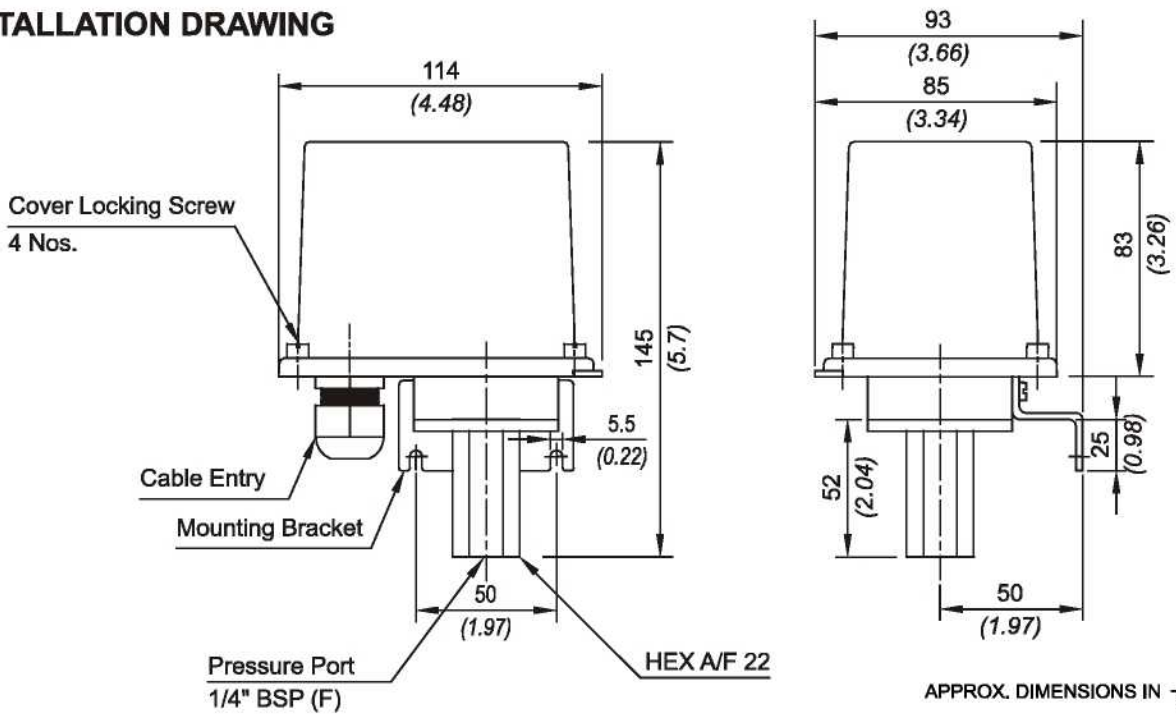


### No. Description

1. Pressure housing (SS)
2. Surge Arrestor (SS)
3. Surge Reducer (SS)
4. Piston (SS)
5. O-Ring (Viton®)

Note : *wetted parts* are mentioned in italics.

## INSTALLATION DRAWING



APPROX. DIMENSIONS IN  $\frac{\text{mm}}{\text{inches}}$

# MZ HYDRAULIC RANGE PRESSURE SWITCHES

## RANGE SELECTION TABLE

Range Code	Range bar (psi)	Differential* bar (psi)	Maximum Working Pressure bar (psi)
		Approximate Maximum for "A8" microswitch	
040	5 - 40 (71.43 - 571.43)	5 (71.43)	80 (1142.85)
100	10 - 100 (142.86 - 1428.57)	12 (171.42)	120 (1714.29)
200	7 - 200 (100.00 - 2857.14)	24 (342.86)	200 (2857.14)
350	35 - 350 (100.00 - 2857.14)	24 (342.86)	500 (7142.86)
400	100 - 400 (1428.57 - 5714.29)	30 (571.42)	400 (5714.29)

\*Minimum differential increases with setpoint (Graphs available on request)

## HOW TO ORDER PROCESS HYDRAULIC RANGE PRESSURE SWITCHES

# HYDRAULIC RANGE PRESSURE SWITCHES

# MZ

Group 1	Group 2	Group 3	Group 4	Group 5	Group 6	Group 7	Group 8
Non standard allocation	Gas Group Classification	Cable Entry Size and Material of Enclosure	Switch Type	Range Code (values in bar)	Microswitch Type	Pressure Port Size	Diaphragm
<input type="checkbox"/> Reserved for non-standard options not covered in catalogue. Will be given by manufacturer, only after agreement of supply details with customer.	<b>MZ</b> = Process pressure switch with tough transparent polycarbonate enclosure to IP66 as per IS2147	<b>3</b> = M20 X 1.5 cable gland	<b>PF2</b> = pressure switch, fixed differential with scale <b>PA2*</b> = pressure switch, adjustable differential with scale  * Not available with option A7 in Group 6	<b>040</b> = (5 - 40) <b>100</b> = (10 - 100) <b>200</b> = (7 - 200) <b>350</b> = (35 - 350) <b>400</b> = (100 - 400)	<b>A8</b> = General purpose microswitch rated at 5 A; 250 VAC <b>A7</b> = 2SPDT microswitches	<b>S1</b> = SS316 pr. Housing with 1/4" BSPF pressure port <b>S2</b> = SS316 pressure housing with 1/4" NPT pressure port.	

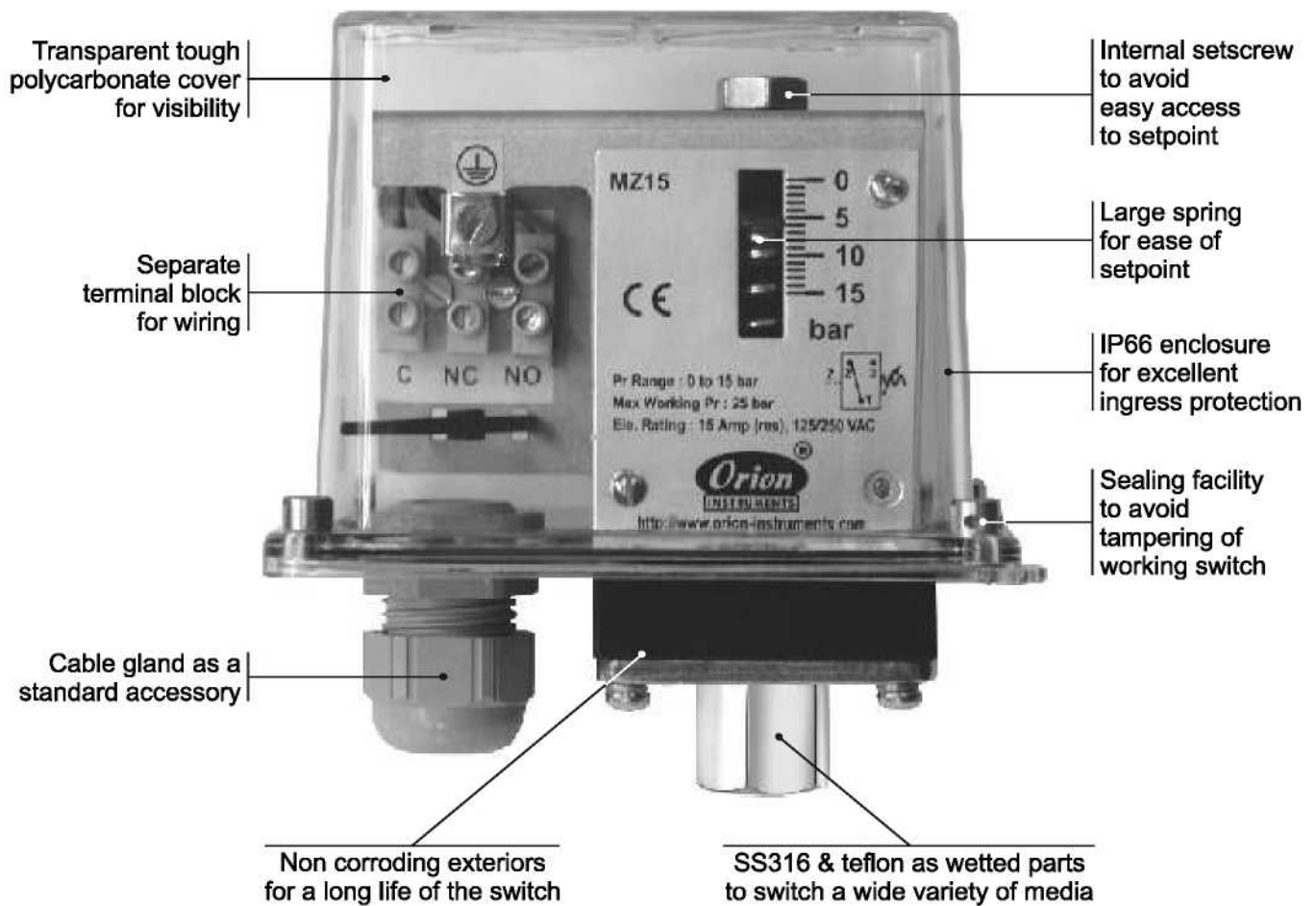
eg. A process pressure switch with fixed differential having 5 bar to 40 bar pressure range, with 5 Amp. microswitch, SS316 pressure housing with 1/4" BSP port size & neoprene diaphragm shall be specified by

Group 1	Group 2	Group 3	Group 4	Group 5	Group 6	Group 7	Group 8
<input type="checkbox"/>	MZ	3	PF2	040	A8	S1	0

Please specify full model number to avoid ambiguity.

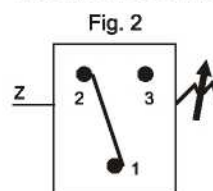


# MZ/MX OEM PRESSURE SWITCHES



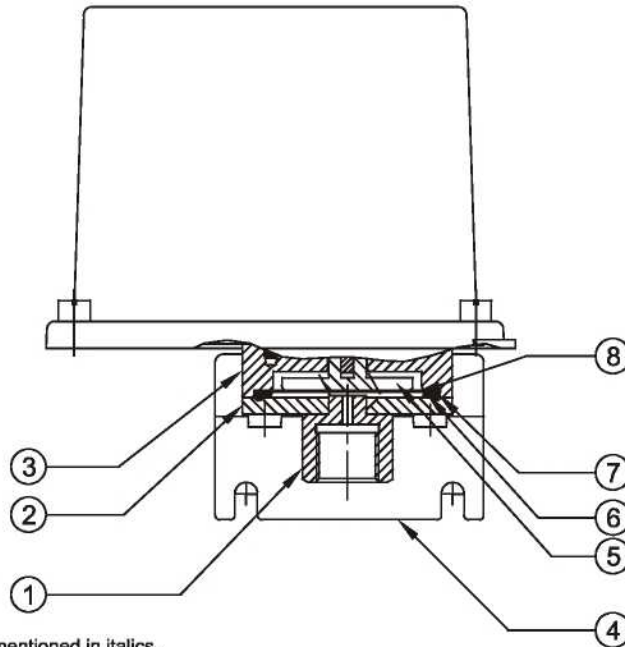
Approximate Weight : 0.600 Kg.

### Electrical Connection :





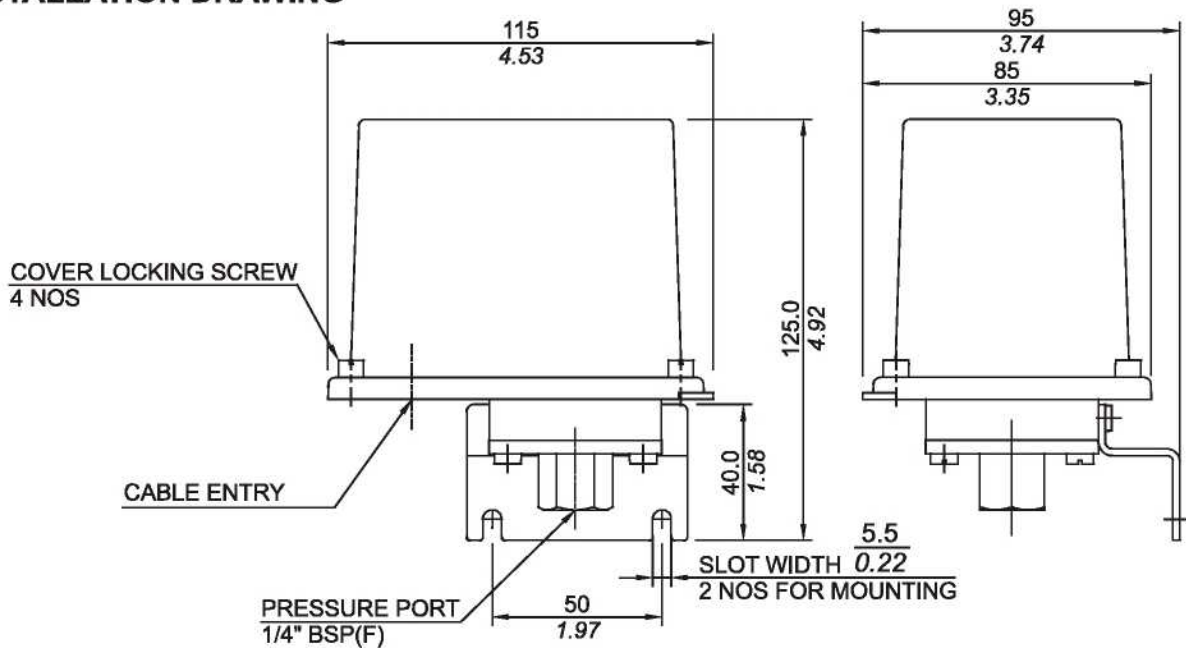
## PRESSURE CAPSULE DETAILS



- No. Description**
1. *Pressure Port (SS316)*
  2. *Housing Plate (SS316)*
  3. *Disc*
  4. *Mounting Bracket*
  5. *Plunger*
  6. *Ring (SS316)*
  7. *O-Ring (Teflon®)*
  8. *Diaphragm (Teflon®)*

Note : *wetted parts* are mentioned in italics.

## INSTALLATION DRAWING



APPROX. DIMENSIONS IN  $\frac{\text{mm}}{\text{inches}}$

# MZ/MX OEM PRESSURE SWITCHES

## RANGE SELECTION TABLE

Model Code	Range † bar (psi)	*Approximate Maximum Differential bar (psi)	Maximum Working Pressure bar (psi)
MZ-1	0.1 - 1.0 (1.43 - 14.29)	0.15 (2.14)	12 (171.43)
MZ-7	0.5 - 7.0 (7.14 - 100.00)	0.15 (2.14)	12 (171.43)
MZ-10	0.5 - 10.0 (7.14 - 142.86)	0.8 (11.43)	25 (357.14)
MZ-15	1.0 - 15.0 (14.29 - 214.29)	1.5 (21.43)	25 (357.14)
MZ-30	5.0 - 25.0 (71.43 - 357.14)	1.5 (21.43)	35 (500.15)

\*Minimum differential increases with setpoint (Graphs available on request)

†Rising pressure for MZ series

## SPECIFICATIONS :

<b>Range</b>	: As per model code
<b>Electrical rating</b>	: 15 Amp, 250 VAC, SPDT snapaction microswitch
<b>Enclosure</b>	: IP66 standard, transparent tough polycarbonate cover
<b>Wetted parts</b>	: SS 316 & Teflon
<b>Pressure port</b>	: 1/4" BSPF standard
<b>Cable gland</b>	: M20 x 1.5 standard (polyamide)
<b>Maximum temperature of working medium</b>	: 80° C maximum. Please use impulse tubing for higher temperatures

## HOW TO ORDER MZ SERIES OEM PRESSURE SWITCHES

Please select model code from Range Selection table

# OEM PRESSURE SWITCHES MZ/MX

## RANGE SELECTION TABLE

Model Code	Range † bar (psi)	*Approximate Adjustable Differential bar (psi)	Maximum Working Pressure bar (psi)
MX-7	0.5 - 7.0 (7.14 - 100.00)	0.8 - 2.0 (11.43 - 28.57)	12 (171.43)
MX-10	0.5 - 10.0 (7.14 - 142.86)	0.8 - 2.0 (11.43 - 28.57)	25 (357.14)
MX-15	1.0 - 15.0 (14.29 - 214.29)	1.0 - 2.0 (14.29 - 28.57)	25 (357.14)
MX-30	5.0 - 25.0 (71.43 - 357.14)	1.5 - 2.5 (21.43 - 35.71)	35 (500.15)

\*Minimum differential increases with setpoint (Graphs available on request)

†Falling pressure for MX series

## SPECIFICATIONS :

<b>Range</b>	: As per model code
<b>Electrical rating</b>	: 15 Amp, 250 VAC, SPDT snapaction microswitch
<b>Enclosure</b>	: IP66 standard, transparent tough polycarbonate cover
<b>Wetted parts</b>	: SS 316 & Teflon
<b>Pressure port</b>	: 1/4" BSPF standard
<b>Cable gland</b>	: M20 x 1.5 standard (polyamide)
<b>Maximum temperature of working medium</b>	: 80° C maximum. Please use impulse tubing for higher temperatures

## HOW TO ORDER MX SERIES OEM PRESSURE SWITCHES

Please select model code from Range Selection table