



**HALE HAMILTON**<sup>®</sup>

Excellence in Pressure & Flow Control

A CIRCOR International, Inc. Company

## N6 High-Pressure Stop Valve – “Pi” Marked for TPED

### Description

The N series is a range of, non-rising stem, balanced stop valves. They are suitable for use with gases or liquids where tight shut-off is required in high-pressure lines.

N6 Mk154 is for use with Hydrogen but it is also suitable for use with other non-oxidising and non-corrosive gases.

The pressure balanced spindle prevents the process pressure from loading the operating thread. This means that handwheel torque is low even at the maximum operating pressure of the valve.

Mounting brackets are available.

N6 Mk154 is “Pi marked” and may be used a primary closure for transportable pressure vessels (e.g. cylinder banks on trailers).



### Features

- Conforms to Transportable Pressure Equipment Directive 2010/35/EU (TPED) and ADR
- Meets the requirements of BS EN ISO 10297:2006
- Polymer seat provides tight shut off.

### Standard Materials

- Body: Nickel Aluminium Bronze
- Piston: Stainless Steel
- Hand wheel: Aluminium Alloy
- O rings: HNBR
- Back up rings: PEEK

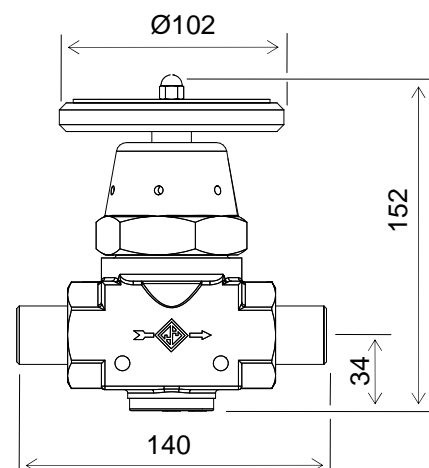
## N6 Mk154 (11mm)

### Specification

- Nominal Bore: 11mm (7/16")
- Design pressure: up to 414 bar (6000 psi)
- Flow factor (Cv): 4.5
- Weight: less than 3kg
- Inlet & outlet Ports: G3/4 male (seal on end face of port)
- Temperature range: -20 to +70°C

### Typical Dimensions

in mm except where shown otherwise



In addition to our standard product range, we have an extensive range of special designs and offer a custom build service. Contact our Sales office if you don't see what you want in our catalogue.

The information contained within this catalogue is for reference purposes only and is subject to change.

When selecting a product, the total system design must be considered to ensure safe, trouble free performance. Component function, material compatibility, adequate ratings, proper installation, operation and maintenance are the responsibility of the system designer and user.

Hale Hamilton (Valves) Ltd  
Cowley Road, Uxbridge, UB8 2AF, UK  
Tel: 01895 236 525  
[www.halehamilton.com](http://www.halehamilton.com)