



HALE HAMILTON®
Excellence in Pressure & Flow Control
A CIRCOR International, Inc. Company

N series High-Pressure Stop Valve Externally Balanced

Description

The N series is a range of, non-rising stem, balanced stop valves. They are suitable for use with gases or liquids where tight shut-off is required in high-pressure lines.

The pressure balanced spindle prevents the process pressure from loading the operating thread. This means that handwheel torque is low even at the maximum operating pressure of the valve.

Mounting brackets are available.

A pneumatically actuated variant of N6 is available.



Standard Specification

See next page for specification of individual types

- Inlet pressure (Bronze bodies): up to 310 bar (4500 psi) for gas, up to 414 bar (6000 psi) for liquid – N50 & N51 can be used at up to 414 bar (6000 psi) on gas
- Temperature range: -20 to +70°C (extended temperature range versions can be supplied)

Standard Materials

Alternative materials can be supplied

- Body: Nickel Aluminium Bronze or Brass
- Spindle: Stainless Steel
- Hand wheel: Aluminium Alloy
- O rings: Nitrile
- Back up rings: PTFE

See N6 Mk139 and Mk140 for stainless steel variants

Options

Please contact us for details

- Ports: alternative port configurations can be supplied
- Operation: locking hand wheels can be supplied
- Materials: suitable combinations of materials can be supplied for various applications such as Oxygen service or marine.
- Certification: variants are available approved for use with Oxygen, for medical Oxygen service or for ATEX service

Ordering Information

Please supply the following information when ordering

- Valve size
- Actuator required
- Mounting bracket required
- Maximum working pressure
- Flow medium
- Port configuration
- Operating and storage temperature ranges
- Certification and QA requirements

In addition to our standard product range, we have an extensive range of special designs and offer a custom build service. Contact our Sales office if you don't see what you want in our catalogue. The information contained within this catalogue is for reference purposes only and is subject to change.

When selecting a product, the total system design must be considered to ensure safe, trouble free performance. Component function, material compatibility, adequate ratings, proper installation, operation and maintenance are the responsibility of the system designer and user.

Hale Hamilton (Valves) Ltd
Cowley Road, Uxbridge, UB8 2AF, UK
Tel: 01895 236 525
www.halehamilton.com



N5, N9, N50 (6mm)

Typical Dimensions

in mm except where shown otherwise

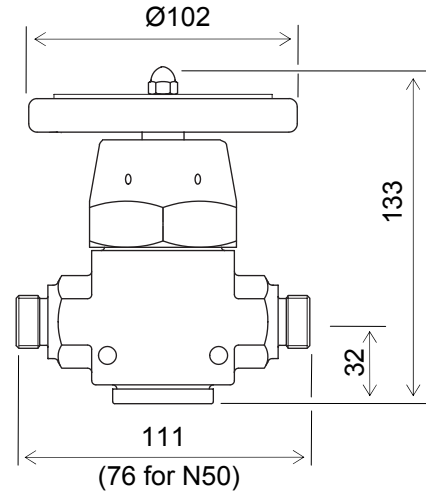
Specification

- Nominal Bore: 6mm (1/4")
 - Flow factor (Cv): 0.8
 - Weight: less than 4.5kg
- Inlet & outlet Ports (alternative ports can be supplied)

N5 G5/8 male

N9 1-12 UNF 2A male

N50 G1/4 female



N6, N10, N51 (11mm)

Typical Dimensions

in mm except where shown otherwise

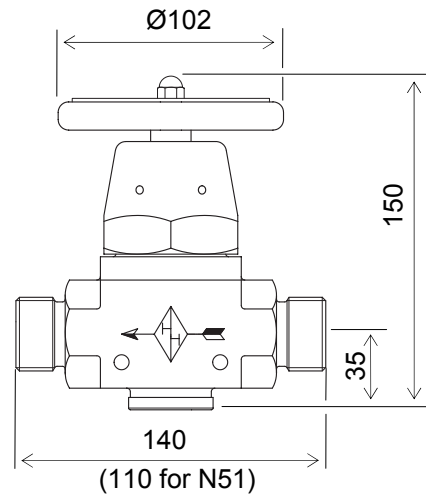
Specification

- Nominal Bore: 11mm (7/16")
 - Flow factor (Cv): 4.5
 - Weight: less than 7kg
- Inlet & outlet Ports (alternative ports can be supplied)

N6 G1 male

N10 1 3/8-12 UNF 2A male

N51 G1/2 female



In addition to our standard product range, we have an extensive range of special designs and offer a custom build service. Contact our Sales office if you don't see what you want in our catalogue. The information contained within this catalogue is for reference purposes only and is subject to change.

When selecting a product, the total system design must be considered to ensure safe, trouble free performance. Component function, material compatibility, adequate ratings, proper installation, operation and maintenance are the responsibility of the system designer and user.

Hale Hamilton (Valves) Ltd
 Cowley Road, Uxbridge, UB8 2AF, UK
 Tel: 01895 236 525
www.halehamilton.com



N6 Mk139 Stainless steel

Typical Dimensions

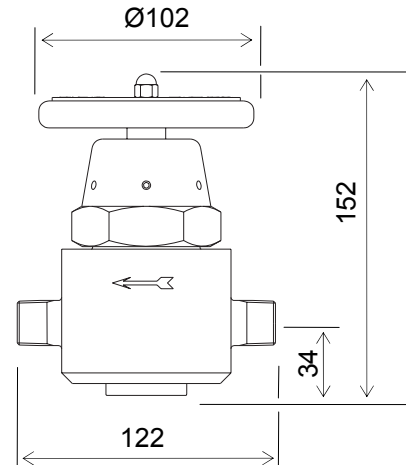
in mm except where shown otherwise

Specification

- Inlet Pressure up to: 200 bar
- Nominal Bore: 11mm (7/16")
- Flow factor (Cv): 4.5
- Weight: less than 3.5kg
- Inlet & outlet Ports: 1/2" NPT

Materials:

- Body: 316 Stainless Steel
- Bonnet: 325 Stainless Steel
- Spindle: Nickel Aluminium Bronze
- Hand wheel: Aluminium Alloy
- O rings: HNBR
- Back up rings: PTFE



N7, N11, N52 (19mm)

Typical Dimensions

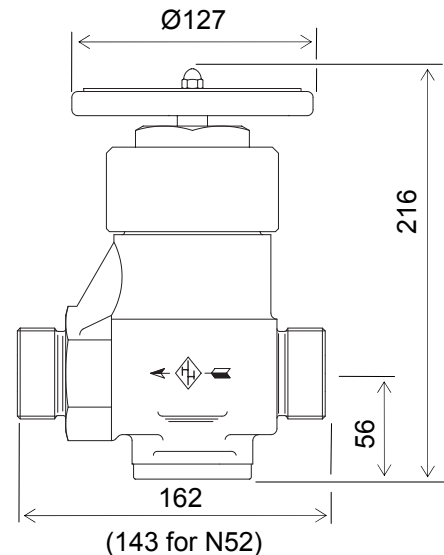
in mm except where shown otherwise

Specification

- Nominal Bore: 19mm (3/4")
- Flow factor (Cv): 12
- Weight: less than 9 kg

Inlet & outlet Ports (alternative ports can be supplied)

- N7** G1 1/2 male
- N11** 1 7/8-12 UNS 2A male
- N52** G1 female



In addition to our standard product range, we have an extensive range of special designs and offer a custom build service. Contact our Sales office if you don't see what you want in our catalogue. The information contained within this catalogue is for reference purposes only and is subject to change.

When selecting a product, the total system design must be considered to ensure safe, trouble free performance. Component function, material compatibility, adequate ratings, proper installation, operation and maintenance are the responsibility of the system designer and user.

Hale Hamilton (Valves) Ltd
 Cowley Road, Uxbridge, UB8 2AF, UK
 Tel: 01895 236 525
www.halehamilton.com



N8, N12, N53 (25mm)

Typical Dimensions

in mm except where shown otherwise

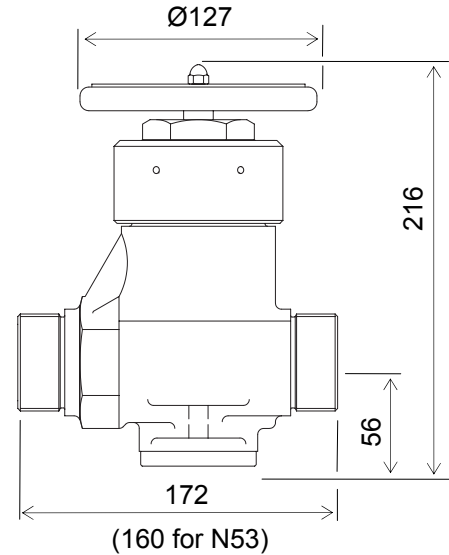
Specification

- Nominal Bore: 25mm (1")
 - Flow factor (Cv): 19
 - Weight: less than 9kg
- Inlet & outlet Ports (alternative ports can be supplied)

N8 G1 3/4 male

N12 2 1/8-12 UNS 2A male

N53 G1 1/4 female



AN6 Actuated Valve

Typical Dimensions

in mm except where shown otherwise

Specification

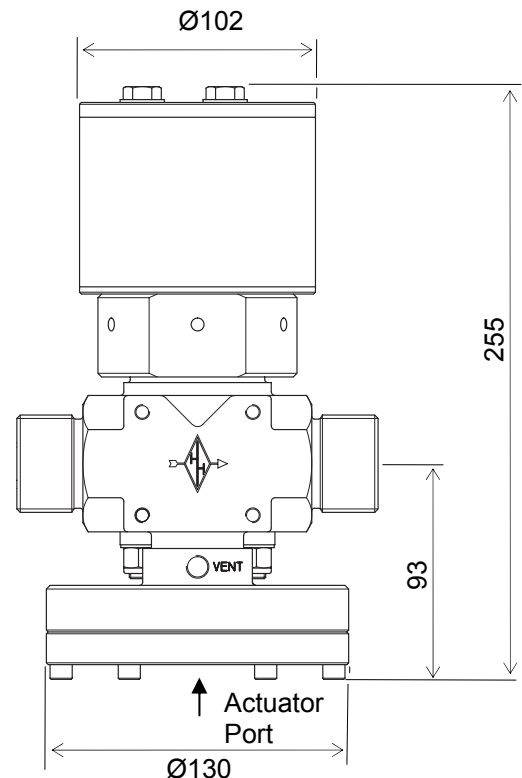
The actuated variant of N6 is opened by a low-pressure pneumatic diaphragm and closed by a spring.

The specifications of the valve are the same as for the manual variant.

Actuator port: 1/8" BSPT or fitting for 4mm plastic tube

Actuator pressure: 7 bar (100 psi)

Weight: Approx. 12 kg



In addition to our standard product range, we have an extensive range of special designs and offer a custom build service. Contact our Sales office if you don't see what you want in our catalogue.

The information contained within this catalogue is for reference purposes only and is subject to change.

When selecting a product, the total system design must be considered to ensure safe, trouble free performance. Component function, material compatibility, adequate ratings, proper installation, operation and maintenance are the responsibility of the system designer and user.

Hale Hamilton (Valves) Ltd
 Cowley Road, Uxbridge, UB8 2AF, UK
 Tel: 01895 236 525
www.halehamilton.com