



HALE HAMILTON[®]

Excellence in Pressure & Flow Control

A CIRCOR International, Inc. Company

N series Stop Valve with Flange Adaptors

Description

The N series is a range of, non-rising stem, balanced, stop valves. They are suitable for use with gases or liquids where tight shut-off is required in high-pressure lines.

The pressure balanced spindle prevents the process pressure from loading the operating thread. This means that handwheel torque is low even at the maximum operating pressure of the valve.

Connection is via flanged adaptors which either have industry standard threaded ports or profiles suitable for brazing or welding to pipework. We can provide adaptors to special requirements on request.

Ports with integral snubbers are included to fit pressure gauges or sensors.

A version is available suitable for use with oxygen including medical oxygen.

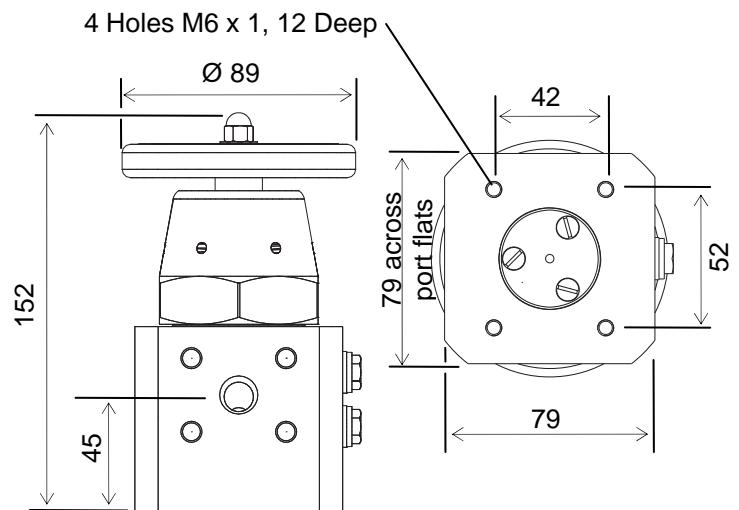


Specification

- Maximum working pressure:
Brass body - 420 bar (6090psi)
Stainless steel body - 500 bar (7250psi)
Some adaptors may have a lower pressure rating - see adaptor options
- Nominal Bore: 11mm (7/16")
- Flow factor (Cv): 4.5
- Port Adaptors: see adaptor options. Other port adaptors can be supplied
- Temperature range: -20 to +70°C
- Weight: less than 4.8kg excluding adaptors. Adaptors are approximately 0.4kg each.

Typical Dimensions

in mm except where shown otherwise



Adaptor Options

Various port adaptor flanges are available. Please see the separate data sheet.

In addition to our standard product range, we have an extensive range of special designs and offer a custom build service. Contact our Sales office if you don't see what you want in our catalogue. The information contained within this catalogue is for reference purposes only and is subject to change.

When selecting a product, the total system design must be considered to ensure safe, trouble free performance. Component function, material compatibility, adequate ratings, proper installation, operation and maintenance are the responsibility of the system designer and user.

Hale Hamilton (Valves) Ltd
Cowley Road, Uxbridge, UB8 2AF, UK
Tel: 01895 236 525
www.halehamilton.com



Ordering information

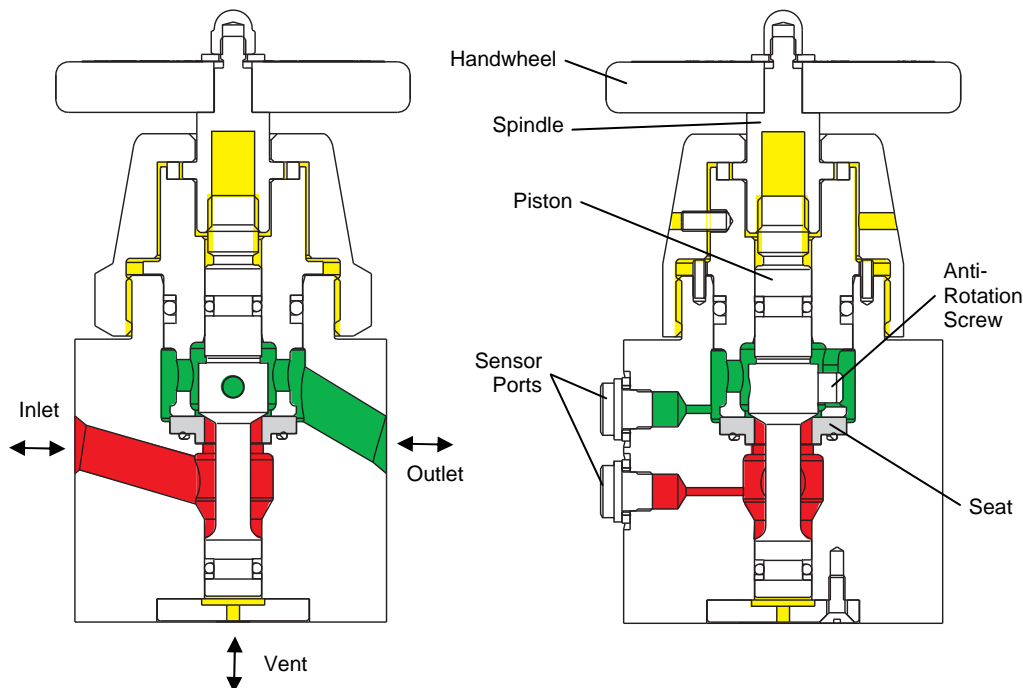
Type Number:	N6 Mk150/OXB	N6 Mk151	N6 Mk152
Order Code:	N110248	N110256	N110684
Service:	Oxygen	Industrial gases	Industrial gases (including Hydrogen)
Body and Bonnet Material:	Brass	Brass	Austenitic St. Steel
Piston Material:	Monel	Martensitic St. Steel	Austenitic St. Steel
Seat Material:	Brass	PEEK	PEEK
O ring Material:	EPDM	Nitrile	HNBR
Back up ring Material:	Nylon	Nylon	Nylon
Spares kit:	XK2244	K2243	K2342
Adaptor mounting kit:	XK2271	K2270	K2270

The valve is supplied without port adaptors. These need to be ordered separately and can be assembled by us or supplied separately packed for assembly on site. One adaptor mounting kit is required for each adaptor. The kit number is in the list above.

The spares kit contains the parts that we recommend are changed at regular intervals.

Please request Service Instruction SI1312 for details on maintenance.

How it Works



When the spindle is rotated by means of the handwheel, the piston moves vertically. The spindle has a left hand thread so the piston rises to open the valve when the handwheel is rotated clockwise. The piston is fully pressure balanced to minimise the load on the spindle. The valve is bi-directional and either port can be used as inlet or outlet although the direction shown is preferred.

In addition to our standard product range, we have an extensive range of special designs and offer a custom build service. Contact our Sales office if you don't see what you want in our catalogue.

The information contained within this catalogue is for reference purposes only and is subject to change.

When selecting a product, the total system design must be considered to ensure safe, trouble free performance. Component function, material compatibility, adequate ratings, proper installation, operation and maintenance are the responsibility of the system designer and user.

Hale Hamilton (Valves) Ltd
 Cowley Road, Uxbridge, UB8 2AF, UK
 Tel: 01895 236 525
www.halehamilton.com