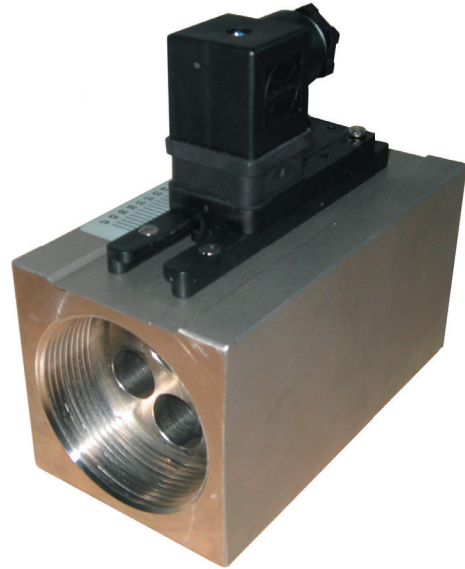
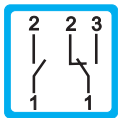
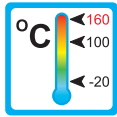


Flow Monitor

WBMC



Range of Application

Operation

- Float measuring principle

Application

- Mechanical engineering
- Plant construction
- Pharma industry
- Chemical industry
- Cooling systems and cooling circuits

Features

- Universal orientation
- High reliability
- Thread-connection

Installation information

- The operating instructions for WBMC must be observed!
- Download: www.meister-flow.com

Operating Data

Operating pressure max.	180 bar (1.4571)
Pressure drop at 22 m³/h	0,2 bar
Maximum temperature	100 °C (optional 160 °C)
Accuracy	±10 % of full scale

Measuring Ranges

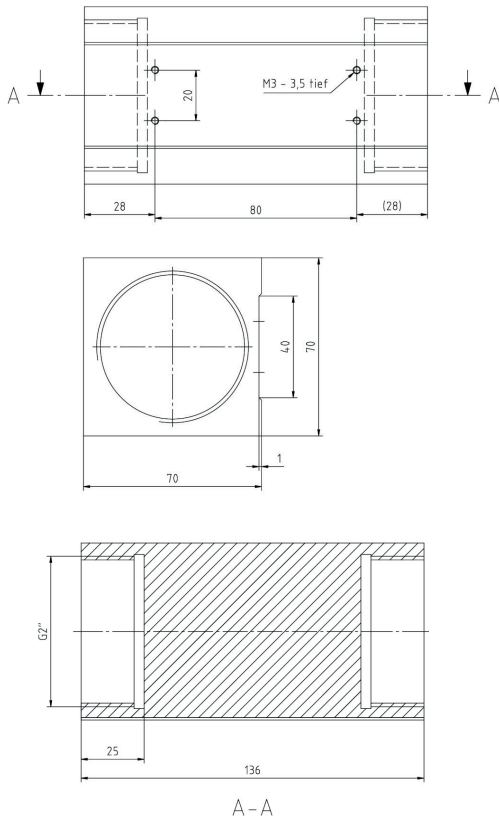
Type	Switch point for H ₂ O at 20 °C ⁽¹⁾ [m³/h]
WBMC	
Lowest Switch point:	8
Highest Switch point:	22

⁽¹⁾ The specified data are switch-off points.



Technical Data

Mechanical drawing



Electrical Data

Change over 250V • 1,5A • 50VA ⁽¹⁾

Normally open 250V • 3A • 100VA

ATEX II 2 G Ex mb II T6 & ATEX II 2 D Ex tD A21 IP67 T80 °C

ATEX II 2 G Ex mb II T5 & ATEX II 2 D Ex tD A21 IP67 T100 °C

Change over 250V • 1A • 30VA

Normally open 250V • 2A • 60VA

Ingress Protection:

IP65: plug connection DIN 43650 Form A

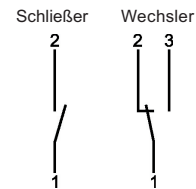
IP67: 1 m sealed in cable

Plug types

Other plug types or cable lengths on request

⁽¹⁾ Minimum load 3 VA

Connection diagram



Material

Stainless steel version

Wetted parts:

Spring: 1.4571
Magnets: Hard ferrite
Housing: 1.4571

All other wetted parts: 1.4571

Summary of types

Type:	Overall dimensions [mm]						Weight (approx.) [g]
	DN	PN	Thread Ø	B	T	L	
WBMC	50	16	185	70	70	136	3200

Note

For further information, please refer to the operating instructions "WBMC".

WBMC 2 0002 02-13 E M